

# 5 Parts Lists

## PL 1 - Standby Power

PL 1.10 Power and Control Assembly (4150) .....	5-3
PL 1.15 Power and Control Assembly (4250/4260) .....	5-4

## PL 2 - User Interface

PL 2.10 User Interface (4150) .....	5-5
PL 2.12 User Interface (4250/4260) .....	5-6

## PL 4 - Main Frame, Covers and Drives

PL 4.15 Main Frame Assembly .....	5-7
PL 4.20 Drives Assembly (4150) .....	5-8
PL 4.25 Drives Assembly (4250/4260) .....	5-9

## PL 5 - DADF

PL 5.10 DADF Assembly (1 of 4) (4150) .....	5-10
PL 5.15 DADF Assembly (2 of 4) (4150) .....	5-11
PL 5.20 DADF Assembly (3 of 4) (4150) .....	5-12
PL 5.25 DADF Assembly (4 of 4) (4150) .....	5-13
PL 5.30 DADF Assembly (1 of 7) (4250/4260) .....	5-14
PL 5.32 DADF Assembly (2 of 7) (4250/4260) .....	5-15
PL 5.35 DADF Assembly (3 of 7) (4250/4260) .....	5-16
PL 5.40 DADF Assembly (4 of 7) (4250/4260) .....	5-17
PL 5.45 DADF Assembly (5 of 7) (4250/4260) .....	5-18
PL 5.50 DADF Assembly (6 of 7) (4250/4260) .....	5-19
PL 5.55 DADF Assembly (7 of 7) (4250/4260) .....	5-20

## PL 6 - Imaging

PL 6.10 LSU .....	5-21
-------------------	------

## PL 7 - Paper Supply

PL 7.10 Tray 1 - 4 Cassette Assembly .....	5-22
PL 7.15 Tray 1 Frame Assembly (1 of 2) .....	5-23
PL 7.17 Tray 1 Frame Assembly (2 of 2) .....	5-24
PL 7.20 Trays 2 - 4 Frame Assembly (1 of 2) .....	5-25
PL 7.25 Trays 2 - 4 Frame Assembly (2 of 2) .....	5-26
PL 7.30 Side Cover Assembly (1 of 3) .....	5-27
PL 7.32 Side Cover Assembly (2 of 3) .....	5-28
PL 7.35 Side Cover Assembly (3 of 3) .....	5-29
PL 7.40 Bypass Tray .....	5-30
PL 7.45 HCF (1 of 5) .....	5-31
PL 7.50 HCF (2 of 5) .....	5-32
PL 7.55 HCF (3 of 5) .....	5-33
PL 7.60 HCF (4 of 5) .....	5-34
PL 7.65 HCF (5 of 5) .....	5-35

## PL 8 - Paper Transport

PL 8.10 Tray 1-4 & HCF Feed Assembly .....	5-36
PL 8.15 Registration Guide Assembly .....	5-37
PL 8.20 Paper Transport Assembly .....	5-38

## PL 9 - Xerographics

PL 9.10 Toner and Xerographic modules .....	5-39
---	------

## PL 10 - Fusing and Copy/Print Transport

PL 10.10 Fuser and Exit Assemblies .....	5-40
PL 10.15 Exit Assembly .....	5-41
PL 10.20 Exit Drive .....	5-42
PL 10.25 Fuser (1 of 2) (4150) .....	5-43
PL 10.26 Fuser (2 of 2) (4150) .....	5-44
PL 10.28 Fuser (1 of 2) (4250/4260) .....	5-45
PL 10.30 Fuser (2 of 2) (4250/4260) .....	5-46

## PL 12 - Finisher

PL 12.10 Finisher Frame .....	5-47
PL 12.15 Duplex and Entry Components .....	5-48
PL 12.20 Compiler and Exit Components .....	5-49
PL 12.25 Support Finger Assembly .....	5-50
PL 12.30 Jogger and Paddle Assembly .....	5-51
PL 12.35 Stapler Assembly .....	5-52
PL 12.40 Ejector Assembly .....	5-53
PL 12.45 Stacker Assembly .....	5-54
PL 12.50 Finisher Assembly .....	5-55

## PL 14 - Scanner

PL 14.10 Scanner Module and CVT/Document Glass (4150) .....	5-56
PL 14.13 Scanner Module and CVT/Document Glass (4250/4260) .....	5-57

## PL 20 - Fax

PL 20.10 FAX Assembly .....	5-58
-----------------------------	------

## PL 26 - Consumables and Tools

PL 26.10 Consumables and Tools .....	5-59
--------------------------------------	------

## PL 28 - Main Covers

PL 28.10 Covers .....	5-60
-----------------------	------

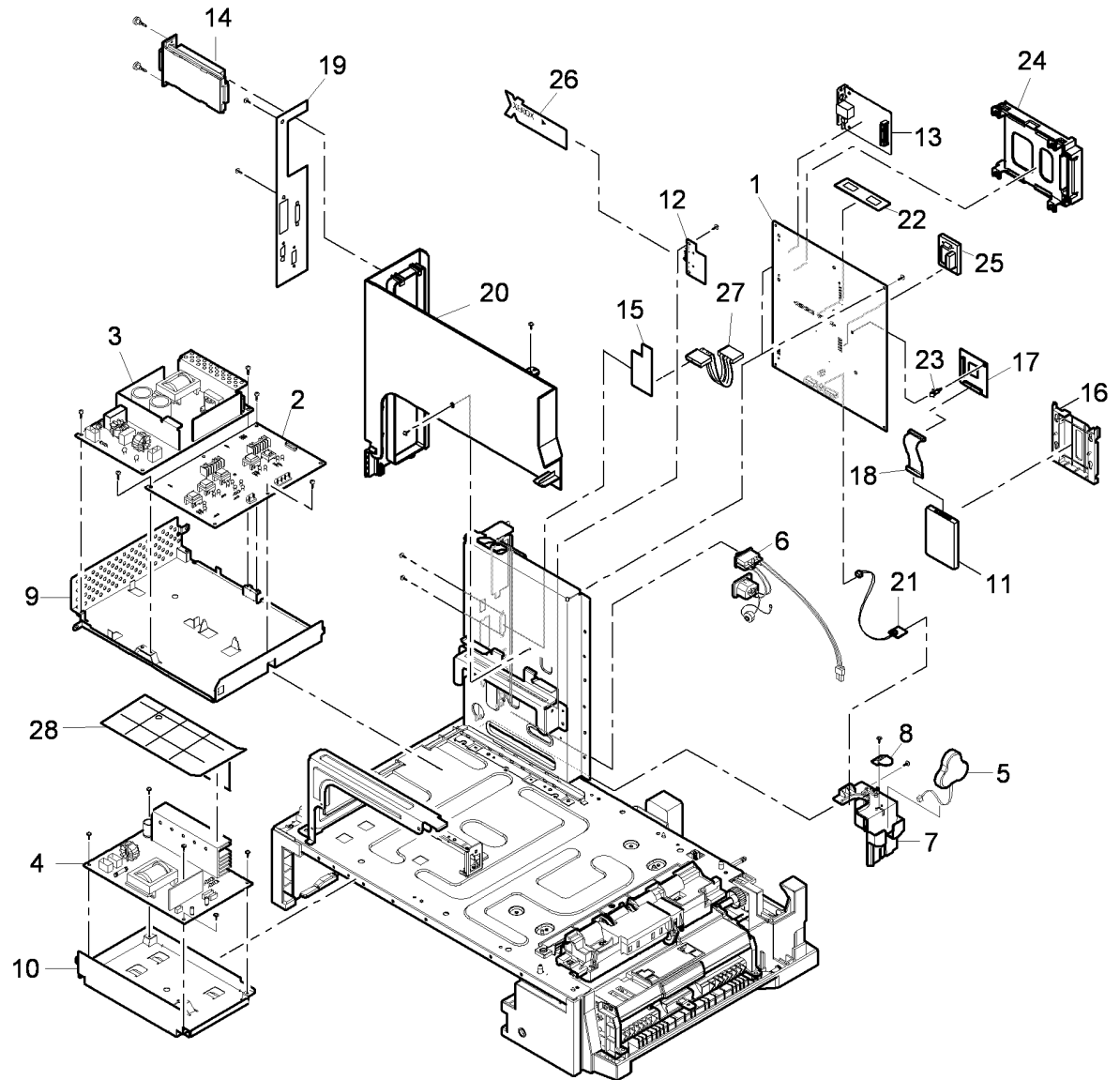
## PL 31 - Maintenance/Installation/Removal Kits

PL 31.10 Maintenance/Installation/Removal Kits .....	5-61
--	------



## PL 1.10 Power and Control Assembly (4150)

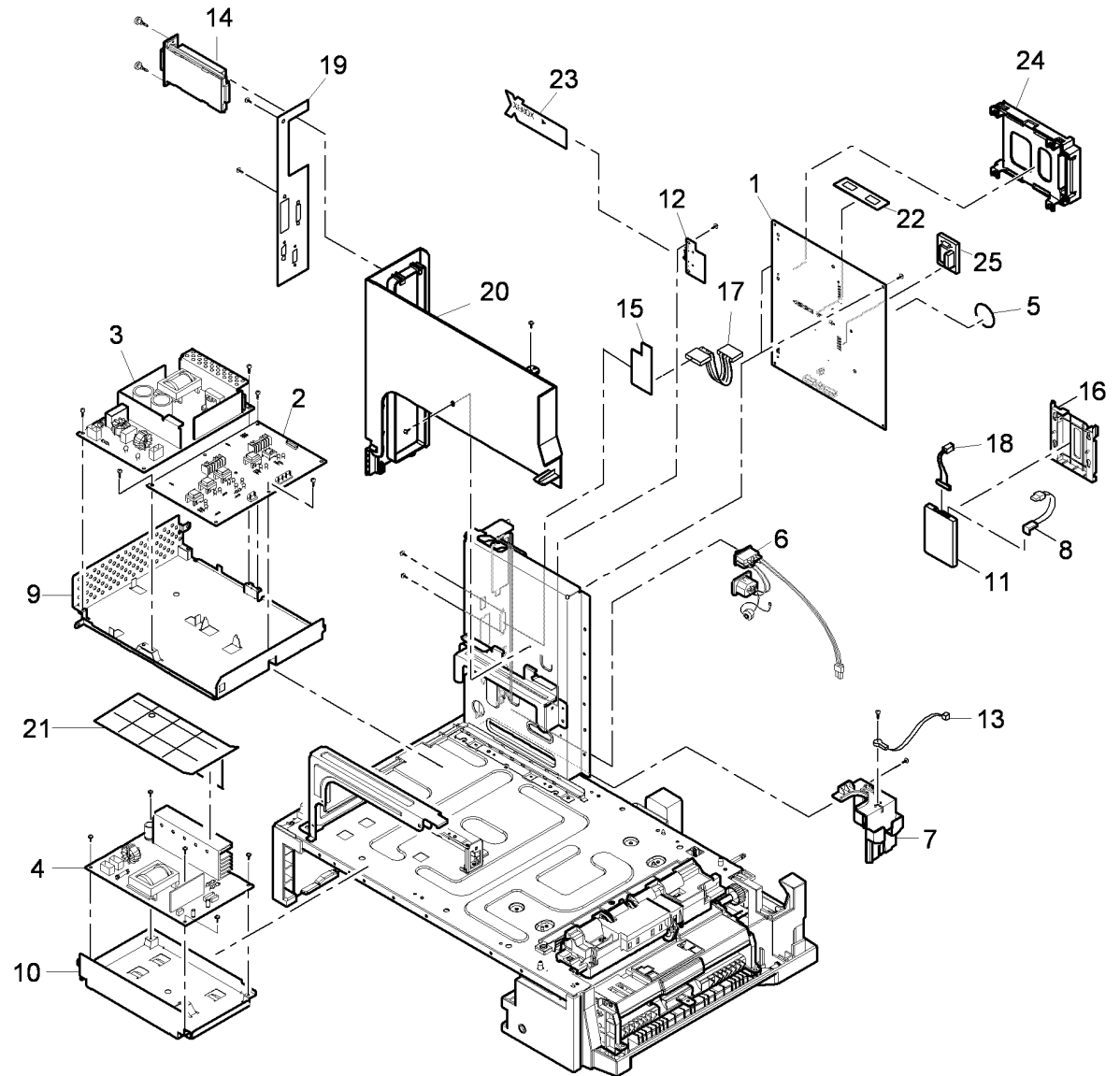
Item	Part	Description
1	140N63141	Main PWB (REP 1.2)
2	105N02092	HVPS (REP 1.1)
3	105N02091	Power supply unit (1) 220V (XE) (REP 1.1)
–	105N02090	Power supply unit (1) 110V (USSG/XCL) (REP 1.1)
4	112N00221	Power supply unit (2) (XE) (REP 1.3)
–	112N00220	Power supply unit (2) (USSG/XCL) (REP 1.3)
5	105N02093	Battery
6	152N11705	Main power socket
7	–	Cover (Not Spared)
8	–	Battery retainer (Not Spared)
9	–	Support cage (Not Spared)
10	–	Support cage (Not Spared)
11	005N01086	HDD
12	101N01387	SIM PWB
13	101N01388	NIC PWB
14	–	FAX module (REF: PL 20.10 Item 6)
15	–	Foreign device interface PWB (P/O PL 31.10 Item 2)
16	–	HDD cover (Not Spared)
17	140N63205	HDD PWB
18	152N11731	HDD harness
19	–	Infill cover (REF: PL 28.10 Item 5)
20	–	Rear exit cover (REF: PL 28.10 Item 8)
21	140N62870	Ambient temperature sensor
22	144N00138	Memory DIMM (128Mb)
–	144N00139	Memory DIMM (256 Mb)
23	–	Stand off (Not Spared)
24	019N00909	FAX holder
25	–	MSOK (Not Spared)
26	–	PEK/FEK (Not Spared)
27	–	Foreign device interface harness (P/O PL 31.10 Item 2)
28	–	Power supply unit cover (Not Spared)



AP-8-0500-B

# PL 1.15 Power and Control Assembly (4250/4260)

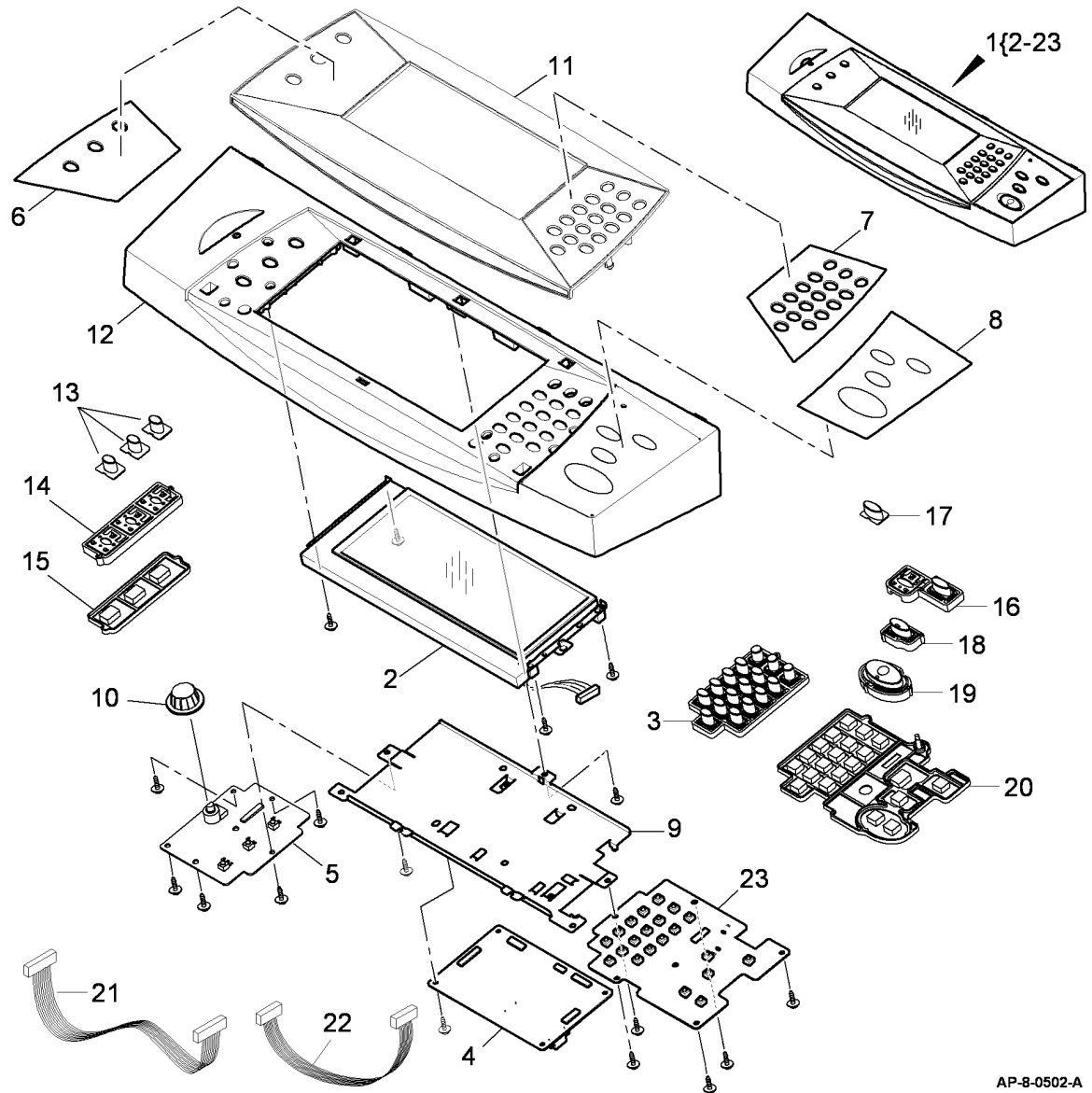
Item	Part	Description
1	140N63392	Main PWB (4250) (REP 1.5)
-	140N63352	Main PWB (4260) (REP 1.5)
2	105N02155	HVPS (REP 1.4)
3	105N02158	Power supply unit (1) 220V (XE) (REP 1.4)
-	105N02157	Power supply unit (1) 110V (USSG/ XCL) (REP 1.4)
4	110N01430	Power supply unit (2) 220V (XE) (REP 1.6)
-	110N01429	Power supply unit (2) 110V (USSG/ XCL) (REP 1.6)
5	-	Battery (Not Spared)
6	152N11783	Main power socket
7	-	Cover (Not Spared)
8	-	HDD SATA harness (Not Spared)
9	-	Support cage (Not Spared)
10	-	Support cage (Not Spared)
11	007N01596	HDD
12	101N01445	SIM PWB
13	130N01531	Ambient temperature thermistor
14	-	FAX module (REF: PL 20.10 Item 6)
15	140N63346	Foreign device interface PWB
16	-	HDD cover (Not Spared)
17	152N11762	Foreign device interface harness
18	-	HDD power harness (Not Spared)
19	-	Infill cover (REF: PL 28.10 Item 5)
20	-	Rear exit cover (REF: PL 28.10 Item 8)
21	-	Power supply unit cover (Not Spared)
22	140N63353	Memory DIMM
23	-	OSOK (Not Spared)
24	019N00909	FAX holder
25	-	MSOK (4250) (Not Spared)
-	-	MSOK (4260) (Not Spared)



AP-8-0558-A

## PL 2.10 User Interface (4150)

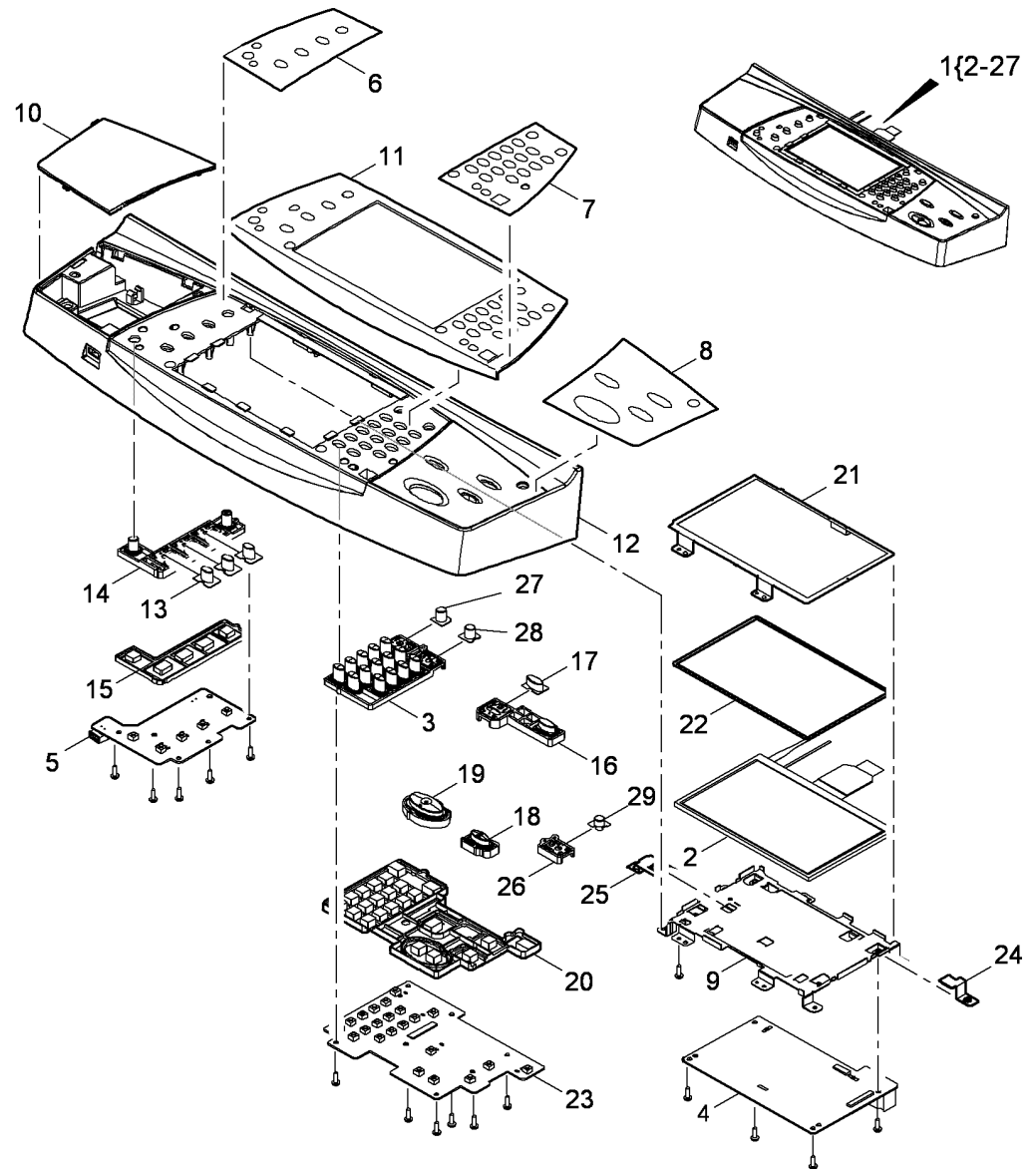
Item	Part	Description
1	002N02562	User interface assembly (REP 2.1)
-	002N02621	User interface assembly (REP 2.1)
2	123N00244	Touch screen
3	003N01009	Numerical key matrix
4	140N63147	User interface PWB
5	140N63146	Left keys PWB
6	101N01390	Status label (English)
-	101N01393	Status label (French)
-	101N01396	Status label (International)
7	101N01391	Numerical label (English)
-	101N01397	Numerical label (International)
-	101N01394	Numerical label (French)
8	101N01392	Start label (English)
-	101N01398	Start label (International)
-	101N01395	Start label (French)
9	-	Cover (P/O PL 2.10 Item 1)
10	003N01007	Contrast control knob
11	002N02578	UI inlay
12	-	UI housing (P/O PL 2.10 Item 1)
13	123N00243	Job status key
14	003N01006	Job status key pad
15	003N01008	Left hand PWB membrane
16	018N00194	All clear key
17	029N00351	Interrupt key
18	029N00352	Stop key
19	029N00353	Start key
20	003N01010	Right PWB membrane
21	152N11712	Left keys PWB harness
22	152N11713	Right keys PWB harness
23	140N63145	Right keys PWB



AP-8-0502-A

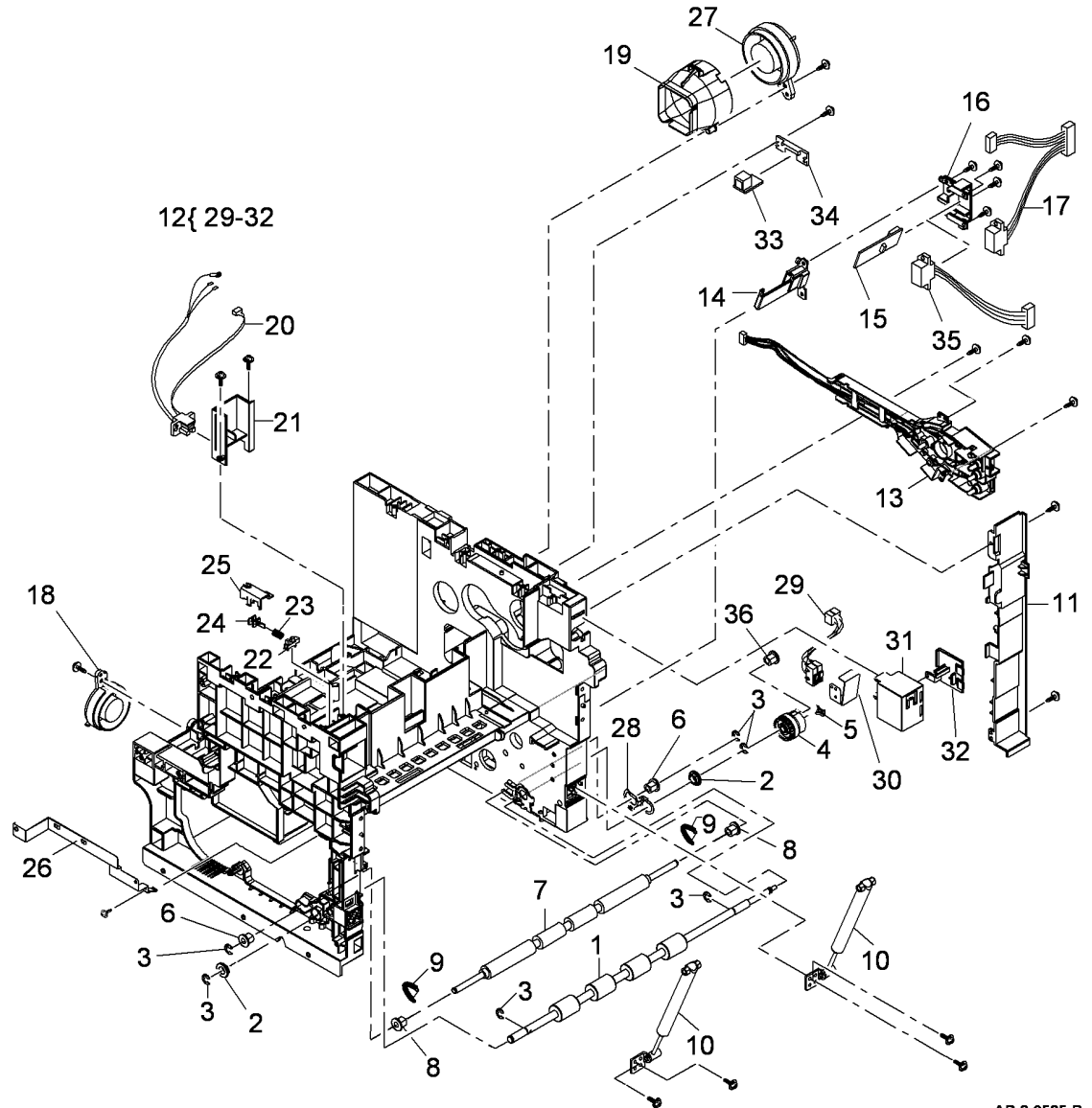
## PL 2.12 User Interface (4250/4260)

Item	Part	Description
1	140N63393	User interface assembly (4250) (REP 2.2)
-	002N02876	User interface assembly (4260) (REP 2.2)
2	123N00250	Touch screen
3	029N00388	Numerical key matrix
4	140N63394	User interface PWB (4250)
-	140N63359	User interface PWB (4260)
5	140N63361	Left keys PWB
6	091N80277	Status label (English)
-	091N80273	Status label (International)
-	091N80278	Status label (French)
7	091N80279	Numerical label (English)
-	091N80274	Numerical label (International)
-	091N80280	Numerical label (French)
8	091N80286	Start label (English)
-	091N80288	Start label (International)
-	091N80287	Start label (French)
9	-	Cover (P/O PL 2.12 Item 1)
10	-	Housing panel (P/O PL 2.12 Item 1)
11	002N02877	UI inlay
12	-	UI housing (P/O PL 2.12 Item 1)
13	029N00385	Job status key
14	029N00398	Job status key pad
15	029N00396	Left hand PWB membrane
16	003N01043	All clear key
17	029N00391	Interrupt key
18	029N00393	Stop key
19	029N00394	Start key
20	003N01048	Right PWB membrane
21	-	Touch screen frame (P/O PL 2.12 Item 1)
22	-	Touch screen wire (P/O PL 2.12 Item 1)
23	140N63360	Right keys PWB
24	-	Bracket (P/O PL 2.12 Item 1)
25	-	Bracket (P/O PL 2.12 Item 1)
26	029N00390	Power key holder
27	029N00386	Login/logout key
28	029N00387	Help key
29	029N00389	Power key



## PL 4.15 Main Frame Assembly

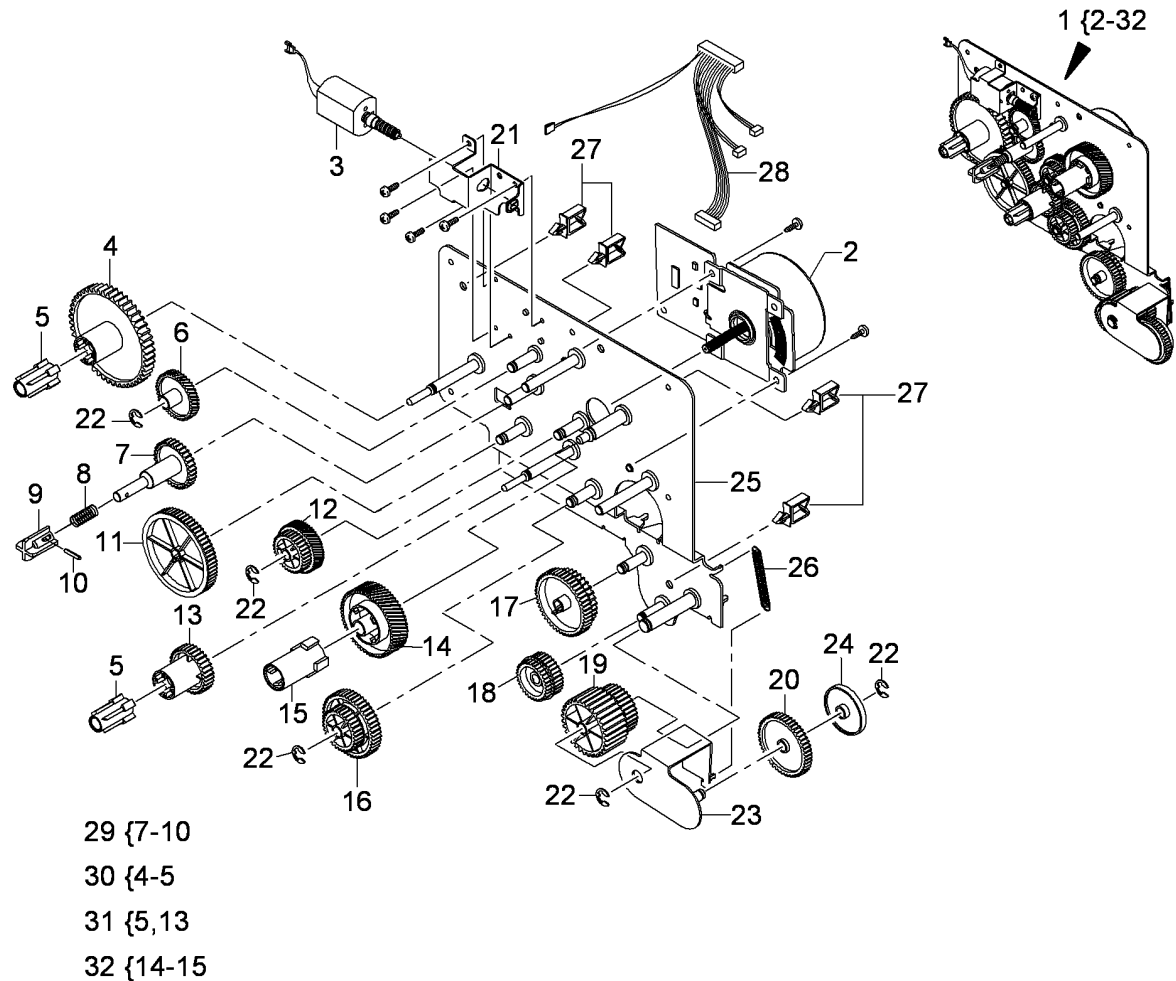
Item	Part	Description
1	022N02229	Registration roll (REP 8.2)
2	016N00293	Bearing (REP 8.2)
3	-	E-Clip (Not Spared)
4	005N01085	Registration clutch (CL08-850)
5	-	KL-Clip (Not Spared) (4150)
6	016N00294	Bearing (REP 8.2)
7	022N02271	Registration idler roll (REP 8.2)
8	-	Bearing (Not Spared)
9	-	Tension spring (Not Spared)
10	004N00245	Damper
11	-	Infill panel (Not Spared)
12	-	Side cover interlock switch assembly (S01-100) (Not Spared)
13	115N00861	Terminal assembly (REP 9.3)
14	-	Housing CRUM PWB (Not Spared) (4150)
15	113N01303	CRUM PWB (4150) (REP 9.2)
16	-	Cover CRUM PWB (Not Spared)
17	152N11706	Xerographic module connector (4150) (REP 9.2)
-	152N11764	Xerographic module connector (4250/4260) (REP 9.2)
18	127N07487	SMPS fan (09-500) (4150)
19	127N07589	SMPS fan (09-500) (4250/4260)
20	-	Duct (Not Spared)
21	152N11732	Fuser connector (4150 REP 10.6) (4250/4260 REP 10.8)
22	-	Retainer (Not Spared)
23	130N01274	Exit cover present sensor (4150/4260)
24	-	Spring (Not Spared) (4150/4260)
25	-	Actuator (Not Spared) (4150/4260)
26	-	Sensor cover (Not Spared) (4150/4260)
27	115N00874	Xerographic module, ground connector (4250/4260)
28	127N07485	Fuser fan (10-500) (4150)
29	127N07591	Fuser fan (10-500) (4250/4260)
30	-	Duct (Not Spared)
31	002N02571	Side cover interlock switch (S01-100)
32	-	Side cover interlock switch actuator (P/O PL 4.15 Item 12)
33	-	Side cover interlock switch housing (P/O PL 4.15 Item 12)
34	-	Side cover interlock switch panel (P/O PL 4.15 Item 12)
35	-	Toner cartridge CRUM connector (Not Spared) (4250/4260) (REP 9.5)
36	-	CRUM connector cover (Not Spared) (4250/4260)
37	-	Xerographic module connector (Not Spared) (4250/4260) (REP 9.4)
38	-	Bearing (Not Spared) (4250/4260)



AP-8-0525-B

## PL 4.20 Drives Assembly (4150)

Item	Part	Description
1	002N02556	Main drive assembly (REP 4.1)
2	127N07489	Main BLDC motor (MOT 04-100)
3	007N01515	Toner dispense motor (MOT 09-600) (REP 9.1)
4	-	Agitator gear (P/O PL 4.20 Item 30)
5	-	Coupling (P/O PL 4.20 Item 30, PL 4.20 Item 31)
6	007N01500	Idler gear
7	-	Dispense idler gear (P/O PL 4.20 Item 29)
8	-	Spring (P/O PL 4.20 Item 29)
9	-	Toner coupling (P/O PL 4.20 Item 29)
10	-	Pin (P/O PL 4.20 Item 29)
11	007N01501	Agitator Idler gear
12	007N01502	Registration Idler gear (A)
13	-	Mixer gear (P/O PL 4.20 Item 31)
14	-	Xerographic module base gear (P/O PL 4.20 Item 32)
15	-	Coupling (P/O PL 4.20 Item 32)
16	007N01505	Registration Idler gear (B)
17	007N01506	Pickup idler gear (A)
18	007N01507	Bypass idler gear (A)
19	007N01508	Bypass idler gear (B)
20	007N01509	Duplex idler gear
21	-	Bracket (P/O PL 4.20 Item 1)
22	-	E-Clip (Not Spared)
23	-	Swing bracket (P/O PL 4.20 Item 1)
24	-	Collar (P/O PL 4.20 Item 1)
25	-	Main bracket (P/O PL 4.20 Item 1)
26	-	Spring (P/O PL 4.20 Item 1)
27	-	Cable clamp (Not Spared)
28	-	Harness (P/O PL 4.20 Item 1)
29	007N01516	Toner dispense gear assembly
30	007N01499	Agitator gear assembly
31	007N01503	Mixer gear assembly
32	007N01558	Xerographic module base gear assembly

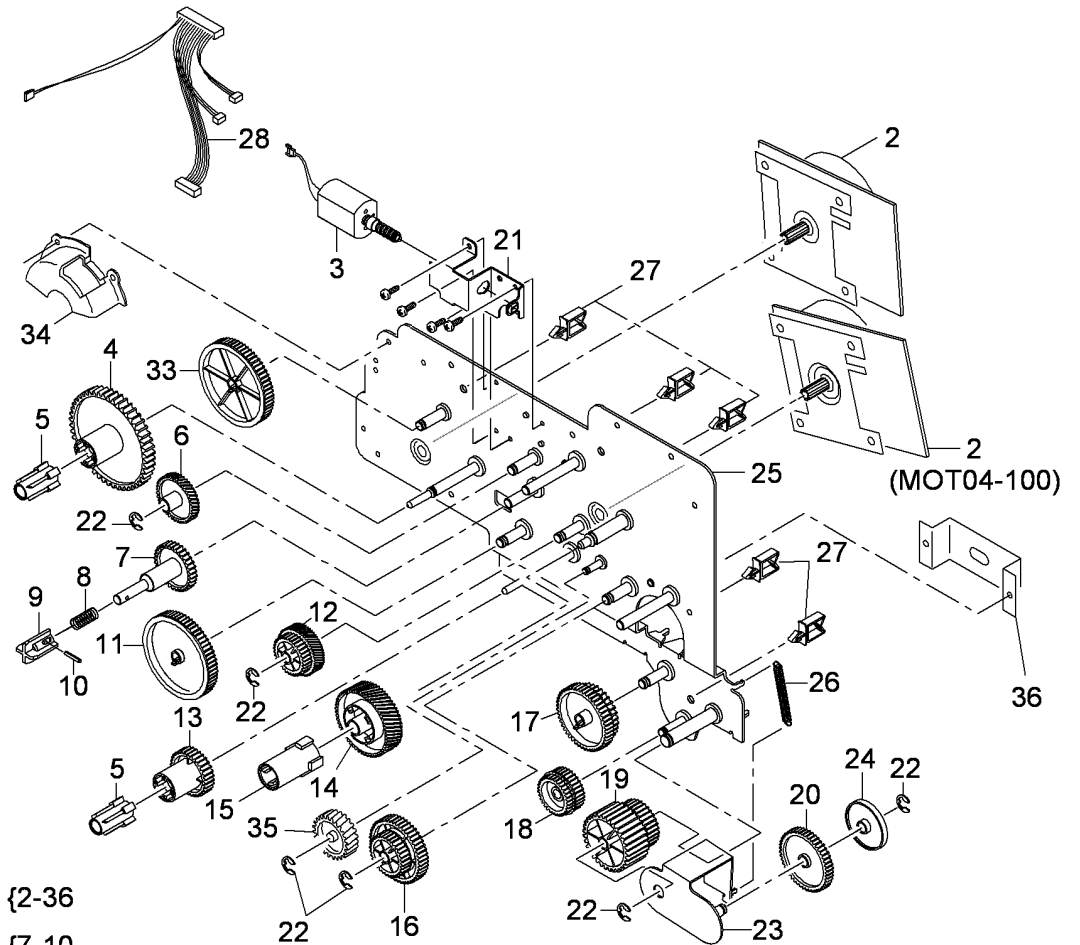


AP-8-0505-A



## PL 4.25 Drives Assembly (4250/4260)

Item	Part	Description
1	002N02804	Main drive assembly (REP 4.3)
2	127N07588	Main BLDC motor (MOT04-100), Developer drive motor
3	127N07587	Toner dispense motor (MOT09-600) (REP 9.1)
4	-	Agitator gear (P/O PL 4.25 Item 30)
5	-	Coupling (P/O PL 4.25 Item 30, PL 4.25 Item 31)
6	007N01500	Idler gear
7	-	Dispense idler gear (P/O PL 4.25 Item 29)
8	-	Spring (P/O PL 4.25 Item 29)
9	-	Toner coupling (P/O PL 4.25 Item 29)
10	-	Pin (P/O PL 4.25 Item 29)
11	007N01501	Agitator Idler gear
12	007N01502	Registration Idler gear (A)
13	-	Mixer gear (P/O PL 4.25 Item 31)
14	007N01504	Xerographic module base gear
15	-	Coupling (P/O PL 4.25 Item 32)
16	007N01616	Registration Idler gear (B)
17	007N01617	Pickup idler gear (A)
18	007N01618	Bypass idler gear (A)
19	-	Bypass idler gear (B) (P/O PL 4.25 Item 1)
20	-	Duplex idler gear (P/O PL 4.25 Item 1)
21	-	Bracket (P/O PL 4.25 Item 1)
22	-	E-Clip (Not Spared)
23	-	Swing bracket (P/O PL 4.25 Item 1)
24	-	Collar (P/O PL 4.25 Item 1)
25	-	Main bracket (P/O PL 4.25 Item 1)
26	-	Spring (P/O PL 4.25 Item 1)
27	-	Cable clamp (P/O PL 4.25 Item 1)
28	-	Harness (P/O PL 4.25 Item 1)
29	007N01516	Toner dispense gear assembly
30	-	Agitator gear assembly (P/O PL 4.25 Item 1)
31	007N01503	Mixer gear assembly
32	-	Xerographic module base gear assembly (P/O PL 4.25 Item 1)
33	007N01619	Transfer gear
34	-	Transfer gear cover (P/O PL 4.25 Item 1)
35	-	Gear (P/O PL 4.25 Item 1)
36	-	Bracket (P/O PL 4.25 Item 1)

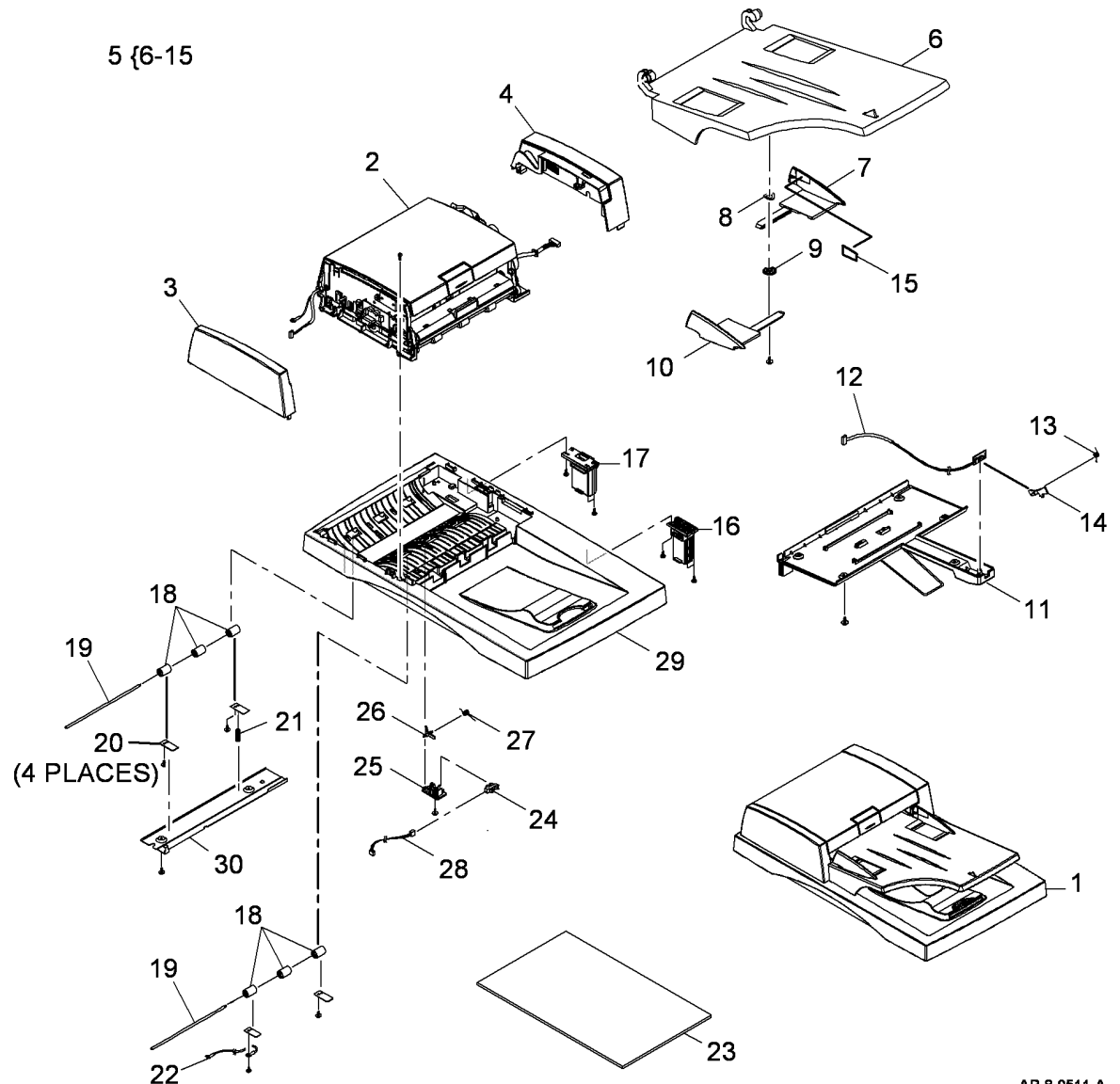


1 {2-36  
 29 {7-10  
 30 {4-5  
 31 {5,13  
 32 {14-15

AP-8-0542-A

# PL 5.10 DADF Assembly (1 of 4) (4150)

Item	Part	Description
1	002N02558	DADF assembly (REP 5.1), (ADJ 5.1)
2	022N02280	Document transport assembly (REP 5.1)
3	-	Front cover (P/O PL 5.10 Item 1) (REP 5.1)
4	-	Rear cover (P/O PL 5.10 Item 1) (REP 5.1)
5	050N00494	Input tray assembly (REP 5.1)
6	-	Stacker tray (P/O PL 5.10 Item 5)
7	-	Document guide left (P/O PL 5.10 Item 5)
8	-	Washer (P/O PL 5.10 Item 5)
9	007N01525	Pinion gear
10	-	Document guide right (P/O PL 5.10 Item 5)
11	-	Lower cover (P/O PL 5.10 Item 5)
12	140N62867	Paper length sensor (Q05-120)
13	-	Spring (P/O PL 5.10 Item 5)
14	-	Actuator (P/O PL 5.10 Item 5)
15	091N80242	Max fill label
16	003N00967	Right counterbalance
17	003N01004	Left counterbalance
18	-	Idle roll (P/O PL 5.10 Item 1)
19	-	Idle shaft (P/O PL 5.10 Item 1)
20	-	Retaining plate (P/O PL 5.10 Item 1)
21	-	Spring (P/O PL 5.10 Item 1)
22	-	Ground harness (P/O PL 5.10 Item 1)
23	025N00081	Document pad
24	130N01274	Gate sensor (Q05-150)
25	-	Actuator cradle (P/O PL 5.10 Item 1)
26	-	Actuator (P/O PL 5.10 Item 1)
27	-	Spring (P/O PL 5.10 Item 1)
28	-	Sensor harness (P/O PL 5.10 Item 1)
29	-	Platen cover (P/O PL 5.10 Item 1)
30	-	Idler cover (P/O PL 5.10 Item 1)

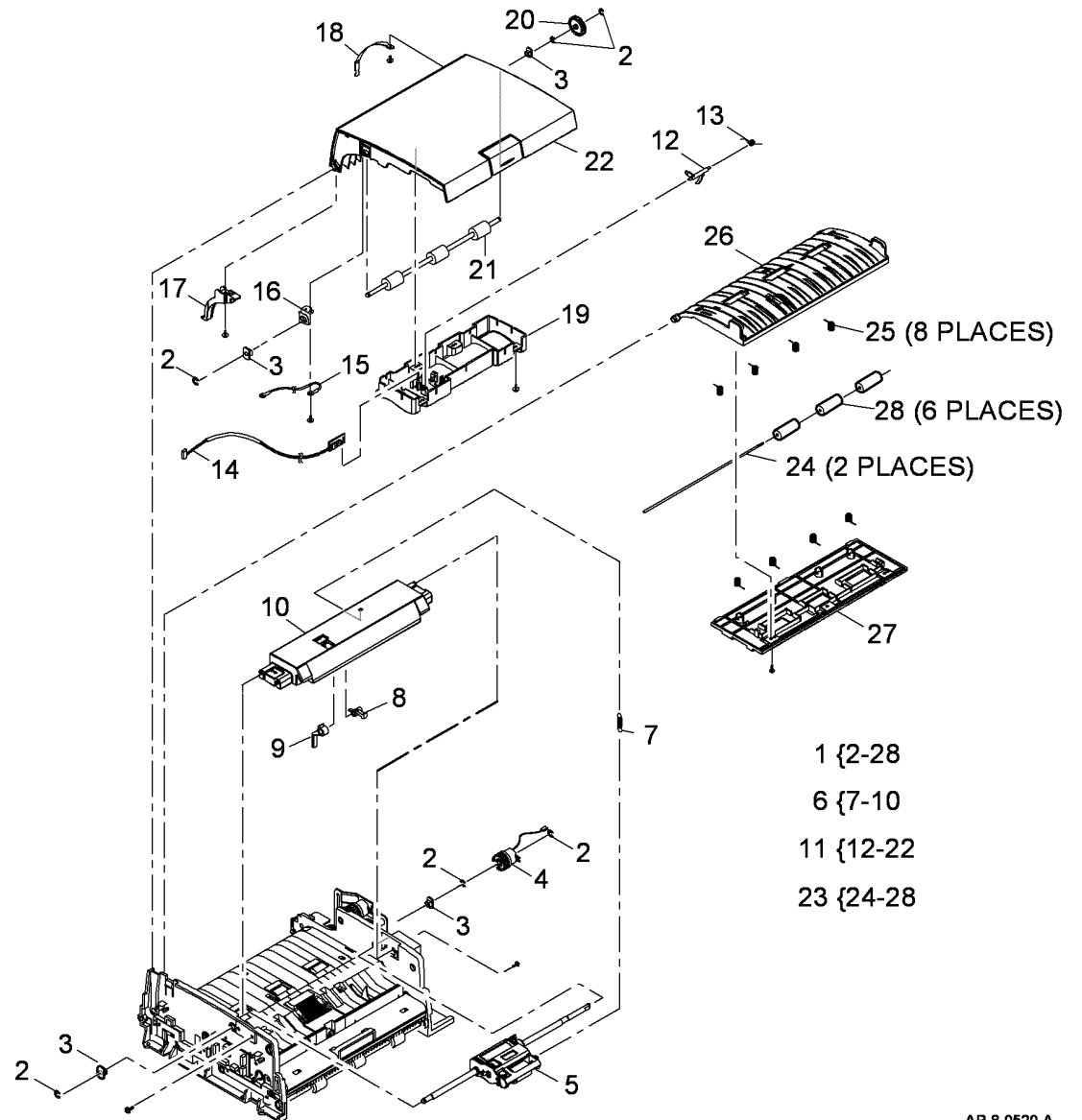


AP-8-0511-A

## PL 5.15 DADF Assembly (2 of 4) (4150)

Item	Part	Description
1	—	Transport assembly (REF: PL 5.10 Item 2)
2	—	E-clip (Not Spared)
3	—	Bearing (P/O PL 5.15 Item 1)
4	—	Pick up clutch (CL05-300) (P/O PL 5.10 Item 1)
5	130N01466	Feed roll assembly (See Note)
6	030N00721	Upper feed assembly (REP 5.1)
7	—	Spring (P/O PL 5.15 Item 6)
8	—	Link arm (P/O PL 5.15 Item 6)
9	—	Feed gate (P/O PL 5.15 Item 6)
10	—	Upper feed cover (P/O PL 5.15 Item 6)
11	002N02288	Top cover assembly (REP 5.1)
12	—	Actuator (P/O PL 5.15 Item 11)
13	—	Spring (P/O PL 5.15 Item 11)
14	140N62869	Registration sensor (Q05-130)
15	—	Ground harness (P/O PL 5.15 Item 11)
16	—	Ground clip (P/O PL 5.15 Item 11)
17	—	Harness cover (P/O PL 5.15 Item 11)
18	—	Top cover restraining strap (P/O PL 5.15 Item 11)
19	—	Sensor housing (P/O PL 5.15 Item 11)
20	007N01523	Registration gear
21	—	Registration roll (P/O PL 5.15 Item 11)
22	002N02583	Top cover
23	038N00497	Duplex guide (REP 5.1)
24	—	Idler shaft (P/O PL 5.15 Item 23)
25	—	Idler springs (P/O PL 5.15 Item 23)
26	—	Upper duplex guide (P/O PL 5.15 Item 23)
27	—	Lower duplex guide (P/O PL 5.15 Item 23)
28	—	Idlers (P/O PL 5.15 Item 23)

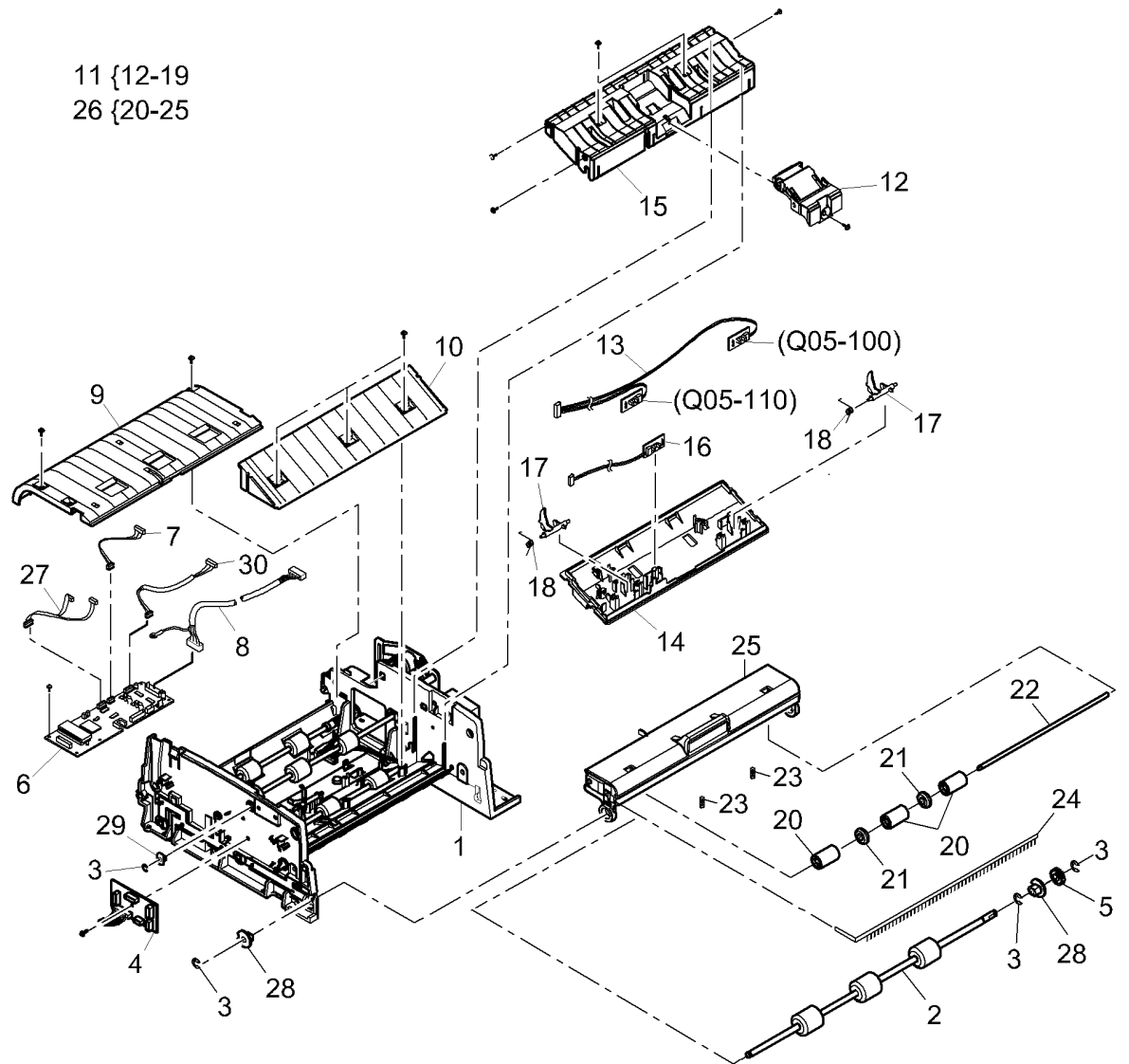
**NOTE:** HFSI. To reset the HFSI count, go to GP 16.



AP-8-0520-A

# PL 5.20 DADF Assembly (3 of 4) (4150)

Item	Part	Description
1	-	Transport assembly (REF: PL 5.10 Item 2)
2	-	Exit roll (P/O PL 5.10 Item 2)
3	-	E-clip (Not Spared)
4	140N63152	DADF sensor PWB
5	007N01538	Exit roll gear (REP 5.1)
6	140N63144	DADF PWB (REP 5.2)
7	-	Scan motor harness (P/O PL 5.10 Item 2)
8	152N11711	Main I/F
9	-	Left guide (P/O PL 5.10 Item 2)
10	-	Right guide (P/O PL 5.10 Item 2)
11	130N01465	Lower feed assembly (REP 5.1)
12	019N00795	Retard pad (See Note)
13	140N63150	Document detect sensor (Q05-100), Paper width sensor (Q05-110) assembly
14	-	Lower feed bottom cover (P/O PL 5.20 Item 11)
15	-	Lower feed top cover (P/O PL 5.20 Item 11)
16	140N63151	Exit open Sensor (Q05-150)
17	120N00488	Actuator
18	-	Spring (P/O PL 5.20 Item 11)
19	-	Not used
20	-	Idler roll (P/O PL 5.20 Item 26)
21	-	Idler disc (P/O PL 5.20 Item 26)
22	-	Shaft (P/O PL 5.20 Item 26) (REP 5.1)
23	-	Spring (P/O PL 5.20 Item 26)
24	063N00110	Static eliminator
25	-	Exit cover (P/O PL 5.20 Item 26)
26	002N02584	Exit assembly (REP 5.1)
27	-	Clutch & switch harness (P/O PL 5.10 Item 2)
28	-	Exit roll bearing (P/O PL 5.10 Item 2)
29	-	Bearing (P/O PL 5.10 Item 2)
30	-	Scan motor harness (P/O PL 5.10 Item 2)

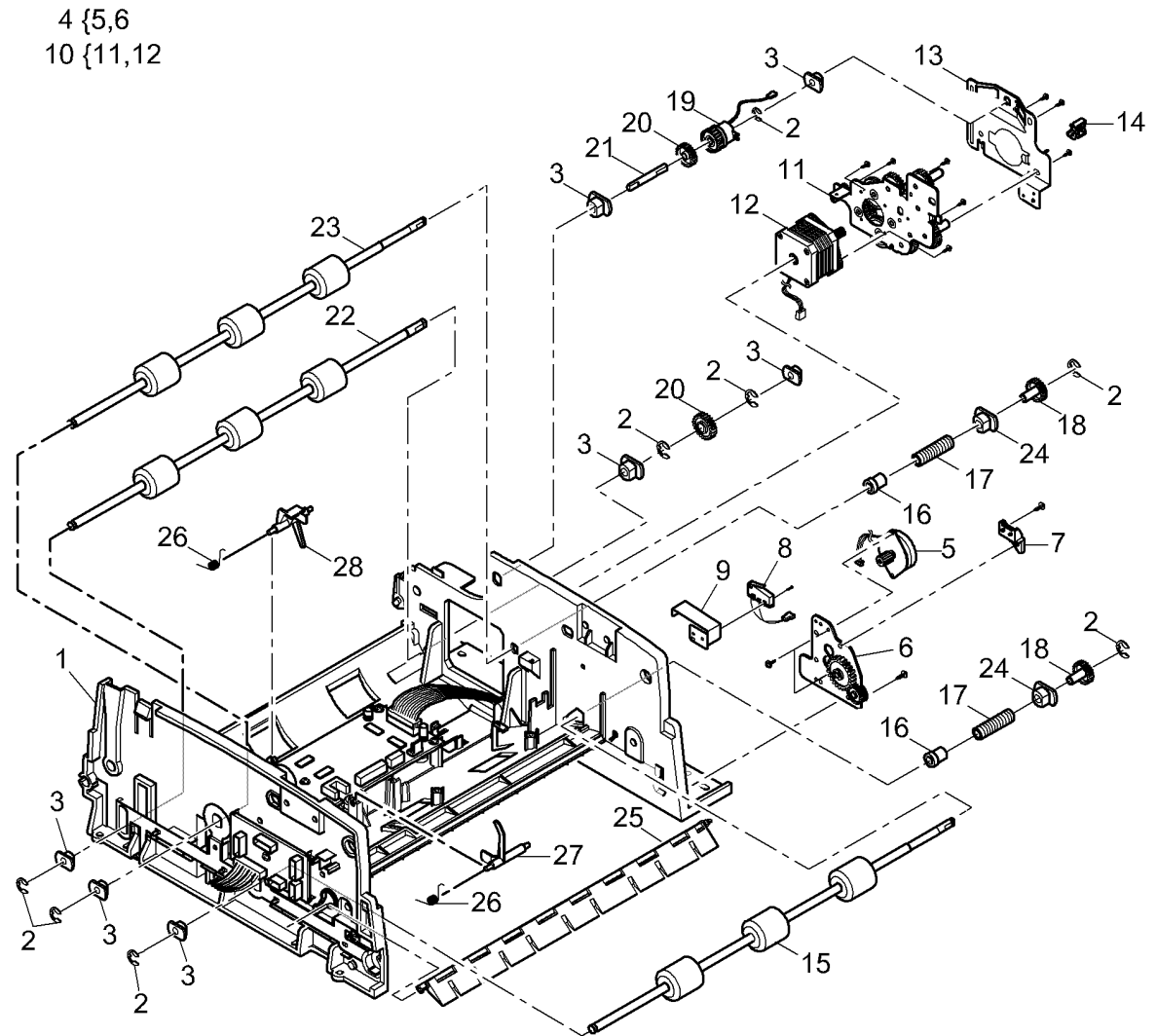


**NOTE:** HFSI. To reset the HFSI count, go to GP 16.

AP-8-0512-A

# PL 5.25 DADF Assembly (4 of 4) (4150)

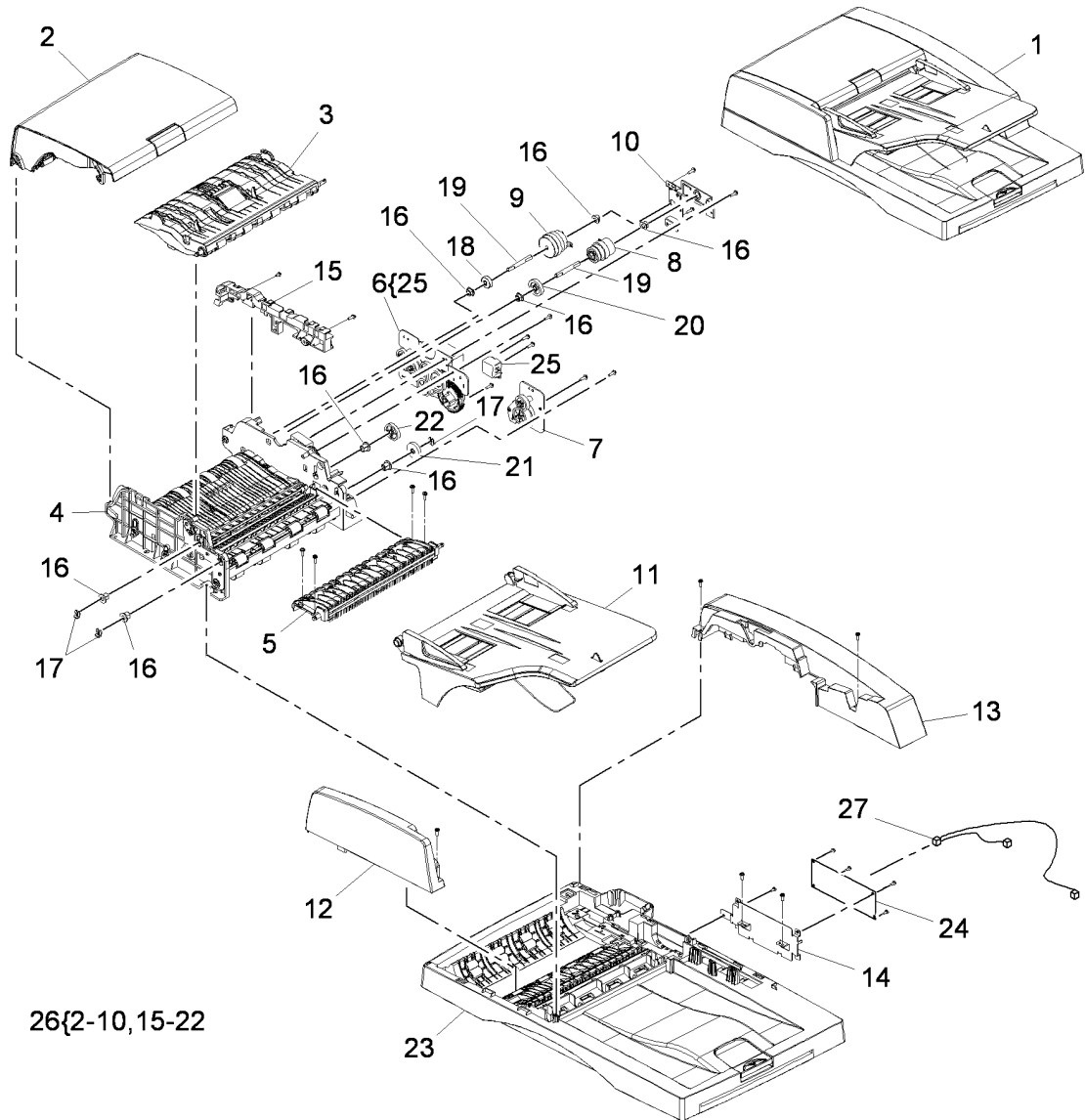
Item	Part	Description
1	-	Transport assembly (REF: PL 5.10 Item 2)
2	-	E-clip (Not Spared)
3	-	Bearing (P/O PL 5.25 Item 1)
4	127N07500	DADF duplex motor assembly (REP 5.1)
5	-	Duplex motor (MOT05-210) (P/O PL 5.25 Item 4)
6	-	Duplex bracket (P/O PL 5.25 Item 4)
7	-	Switch bracket (P/O PL 5.25 Item 1)
8	152N11715	DADF door open switch (S05-160)
9	-	Switch guard (P/O PL 5.25 Item 1)
10	127N07498	DADF Scan motor assembly (REP 5.1)
11	-	Gear assembly (P/O PL 5.25 Item 10)
12	127N07497	DADF scan motor (MOT05-200) (REP 5.1)
13	-	Drive gear cover (P/O PL 5.25 Item 1)
14	-	Harness clip (P/O PL 5.25 Item 1)
15	-	Gate roll (P/O PL 5.25 Item 1)
16	-	Bush holder (P/O PL 5.25 Item 1)
17	009N01605	Spring clutch
18	007N01524	Gear
19	-	Registration clutch (CL05-310) (P/O PL 5.10 Item 1)
20	007N01557	Gear (REP 5.1)
21	006N01300	Clutch shaft (REP 5.1)
22	-	Duplex roll (P/O PL 5.25 Item 1)
23	-	Scan roll (P/O PL 5.25 Item 1)
24	-	Roll bearing (P/O PL 5.25 Item 1)
25	050N00500	Duplex gate (REP 5.1)
26	-	Spring (P/O PL 5.25 Item 1)
27	-	Actuator (P/O PL 5.25 Item 1)
28	-	Actuator (P/O PL 5.25 Item 1)



AP-8-0513-A

# PL 5.30 DADF Assembly (1 of 7) (4250/4260)

Item	Part	Description
1	002N02807	DADF assembly (REP 5.1, ADJ 5.1)
2	-	Top cover assembly (REF: PL 5.40 Item 1)
3	-	Pick-up guide assembly (REF: PL 5.45)
4	-	Transport assembly housing (P/O PL 5.30 Item 26)
5	-	Exit guide assembly (REF: PL 5.45)
6	002N02821	DADF scan motor assembly (REP 5.10)
7	002N02820	DADF duplex motor assembly (MOT05-210) (REP 5.8)
8	121N01178	Pickup clutch (CL05-300) (REP 5.9)
9	005N01085	Registration clutch (CL05-310) (REP 5.9)
10	-	Clutch bracket (P/O PL 5.30 Item 26)
11	-	Input tray assembly (REF: PL 5.32 Item 1)
12	002N02860	Front cover
13	-	Rear cover (P/O PL 5.30 Item 1)
14	-	DADF PWB shield (P/O PL 5.30 Item 1)
15	-	Harness holder (P/O PL 5.30 Item 26)
16	-	Bearing (P/O PL 5.30 Item 26)
17	-	E-clip (Not Spared)
18	-	Clutch gear (P/O PL 5.30 Item 26)
19	-	Clutch shaft (P/O PL 5.30 Item 26)
20	-	Gear (P/O PL 5.30 Item 26)
21	-	One way gear (P/O PL 5.30 Item 26)
22	-	Roll drive gear (P/O PL 5.30 Item 26)
23	-	Platen cover (Not Spared)
24	140N63356	DADF PWB
25	-	Lift solenoid (SOL05-320) (P/O PL 5.30 Item 6)
26	002N02816	Document transport assembly (REP 5.7)
27	152N11768	DADF PWB to registration sensor harness

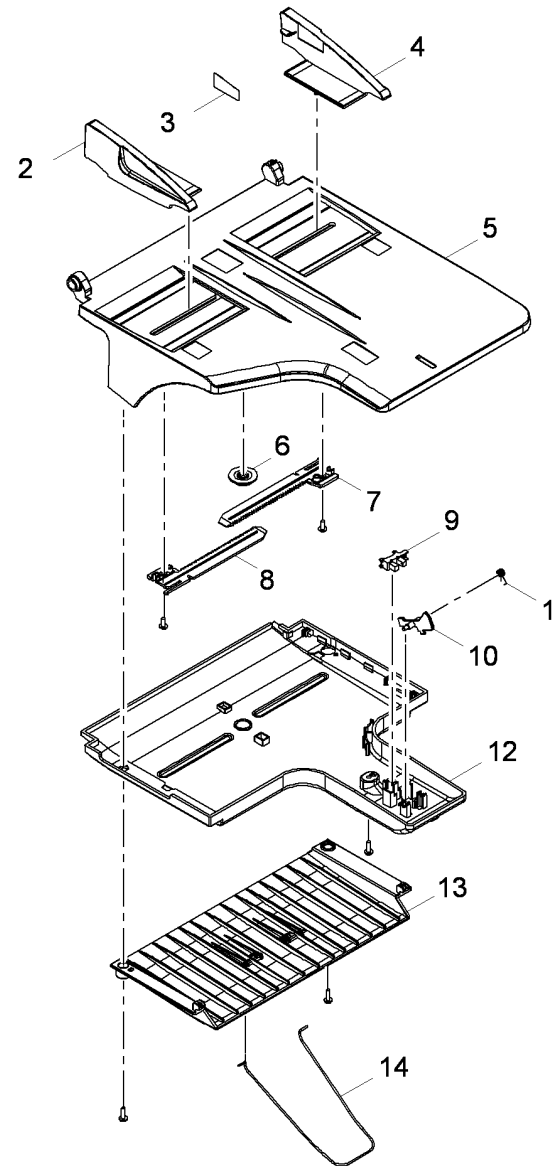


26{2-10,15-22

AP-8-0547-A

## PL 5.32 DADF Assembly (2 of 7) (4250/4260)

Item	Part	Description
1	050N00541	Input tray assembly (Complete) (REP 5.6)
2	–	Document guide front (P/O PL 5.32 Item 1)
3	091N80242	Label
4	–	Document guide rear (P/O PL 5.32 Item 1)
5	–	Top cover (P/O PL 5.32 Item 1)
6	007N01525	Pinion gear
7	–	Rear rack gear (P/O PL 5.32 Item 1)
8	–	Front rack gear (P/O PL 5.32 Item 1)
9	130N01274	Paper length sensor (REP 5.6)
10	–	Actuator (P/O PL 5.32 Item 1)
11	–	Actuator spring (P/O PL 5.32 Item 1)
12	–	Lower cover (P/O PL 5.32 Item 1)
13	–	Stacker guide (P/O PL 5.32 Item 1)
14	–	Stacker wire (P/O PL 5.32 Item 1)

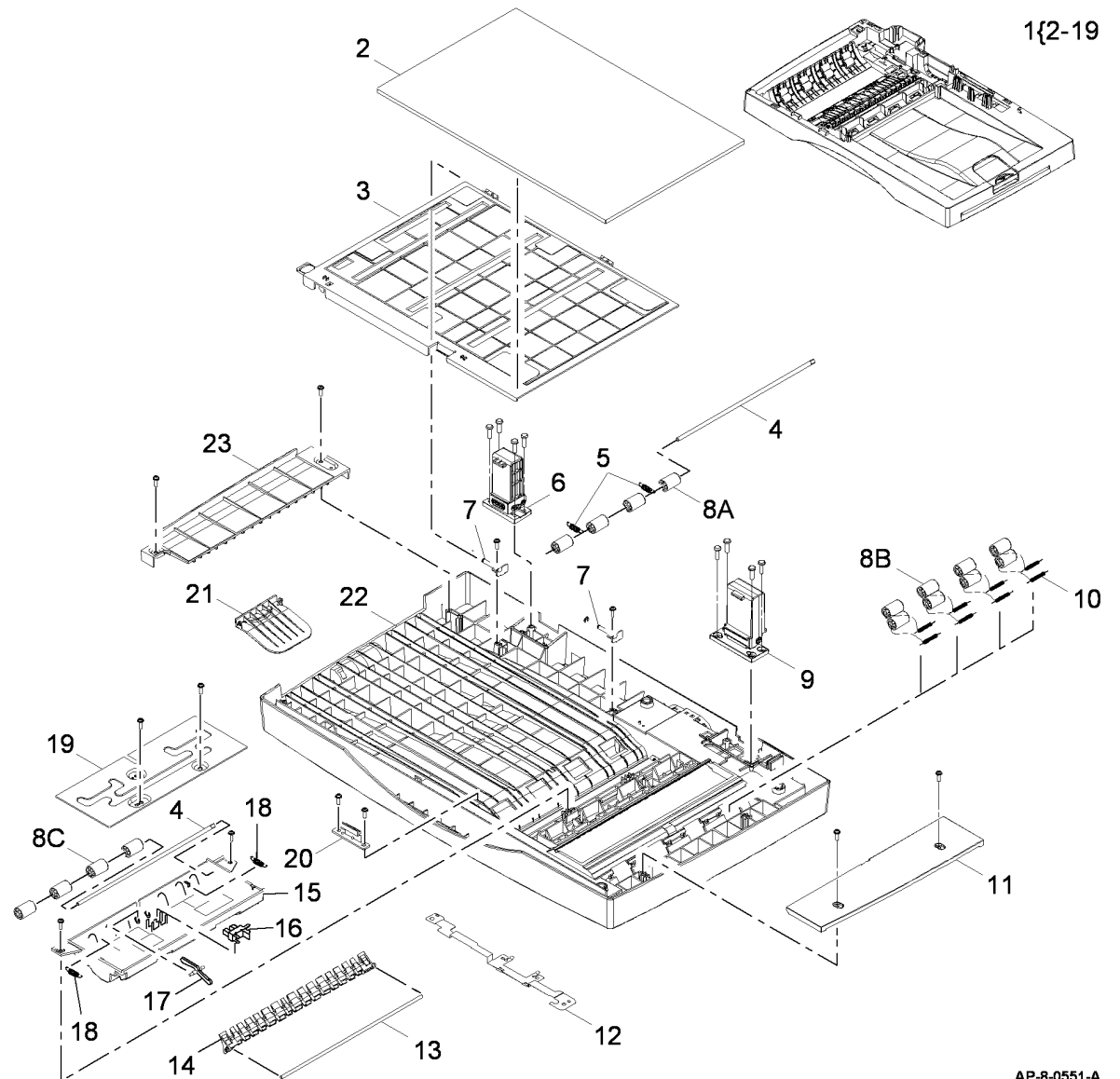


1{2-14

AP-8-0559-A

# PL 5.35 DADF Assembly (3 of 7) (4250/4260)

Item	Part	Description
1	-	Platen cover assembly (P/O PL 5.30 Item 1)
2	095N00380	Document pad
3	002N02866	Lower inverter tray
4	-	Idler shaft (P/O PL 5.35 Item 1)
5	-	Idler spring (P/O PL 5.35 Item 1)
6	003N01046	Left counterbalance
7	-	Jam clearance cover bracket (P/O PL 5.35 Item 1)
8	-	Gate roll idler (8A), CVT roll lower idler (8B), Lower exit roll idler (8C) (P/O PL 5.35 Item 1)
9	003N01047	Right counterbalance
10	-	Spring (P/O PL 5.35 Item 1)
11	-	Right platen cover (P/O PL 5.35 Item 1)
12	-	Ground strip (P/O PL 5.35 Item 1)
13	-	Reverse guide shaft (P/O PL 5.35 Item 1)
14	-	Reverse guide (P/O PL 5.35 Item 1)
15	-	Jam clearance guide housing (P/O PL 5.35 Item 1)
16	130N01274	R stack sensor
17	-	R stack sensor actuator (P/O PL 5.35 Item 1)
18	-	Spring (P/O PL 5.35 Item 1)
19	-	Jam clearance guide cover (P/O PL 5.35 Item 1)
20	-	Handle (P/O PL 5.35 Item 1)
21	090N00167	Guide extension
22	-	Platen cover housing (P/O PL 5.35 Item 1)
23	-	Left platen cover (P/O PL 5.35 Item 1)



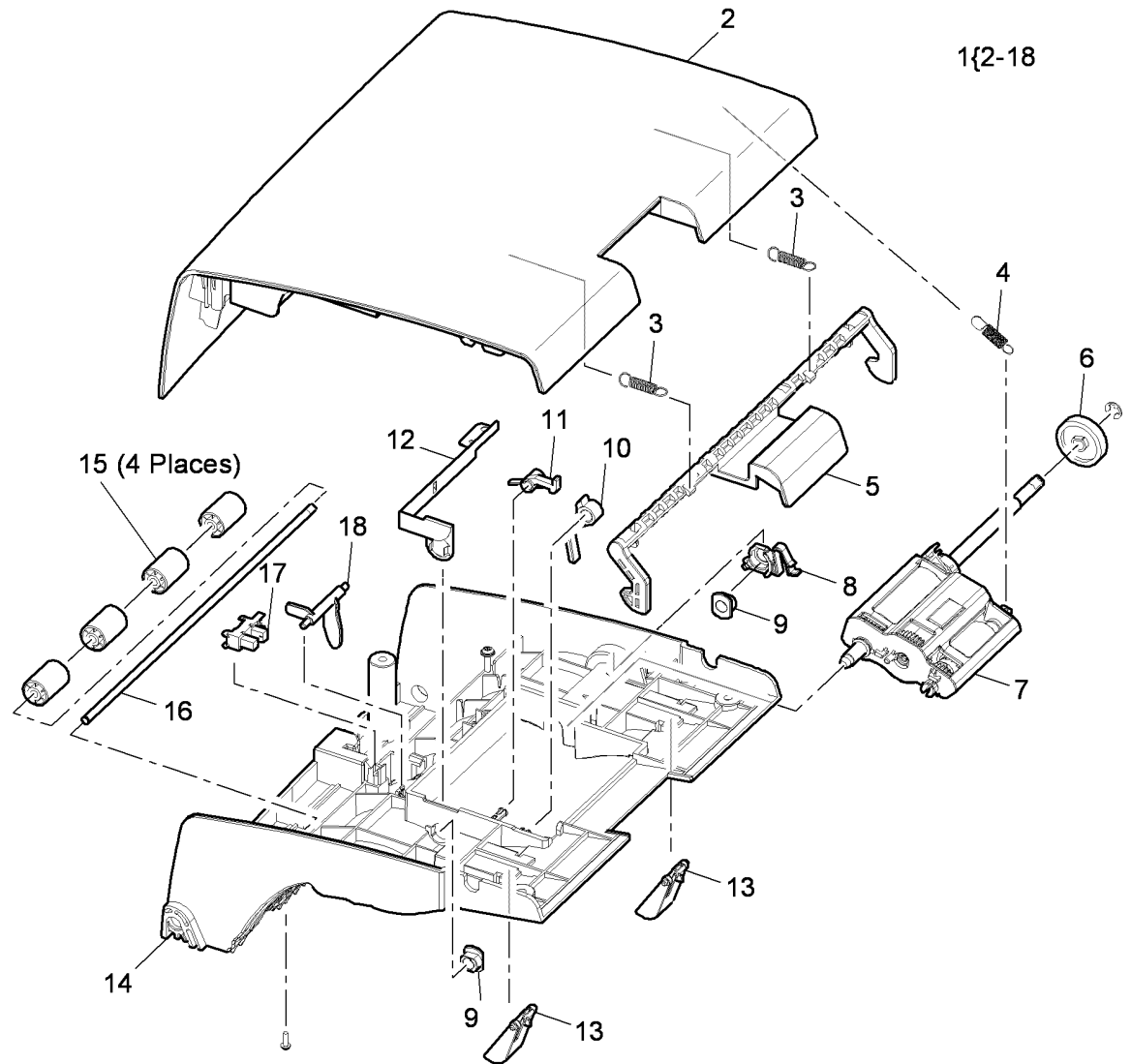
AP-8-0551-A



## PL 5.40 DADF Assembly (4 of 7) (4250/4260)

Item	Part	Description
1	002N02817	Top cover assembly
2	002N02863	Top cover
3	-	Release latch spring (P/O PL 5.40 Item 1)
4	-	Pickup assembly spring (P/O PL 5.40 Item 1)
5	-	Release latch (P/O PL 5.40 Item 1)
6	-	Gear (P/O PL 5.40 Item 1)
7	130N01551	Feed roll assembly (See Note)
8	-	Retaining clip (P/O PL 5.40 Item 1)
9	-	Bearing (P/O PL 5.40 Item 1)
10	-	Feed gate (P/O PL 5.40 Item 1)
11	-	Link arm (P/O PL 5.40 Item 1)
12	-	Ground strip (P/O PL 5.40 Item 1)
13	-	Guide flap (P/O PL 5.40 Item 1)
14	-	Top cover assembly housing (P/O PL 5.40 Item 1)
15	-	CVT roll upper idler (P/O PL 5.40 Item 1)
16	-	Feed idler shaft (P/O PL 5.40 Item 1)
17	130N01274	Registration sensor (Q05-130)
18	-	Registration sensor actuator (P/O PL 5.40 Item 1)

**NOTE:** HFSI. To reset the HFSI count, go to GP 16.

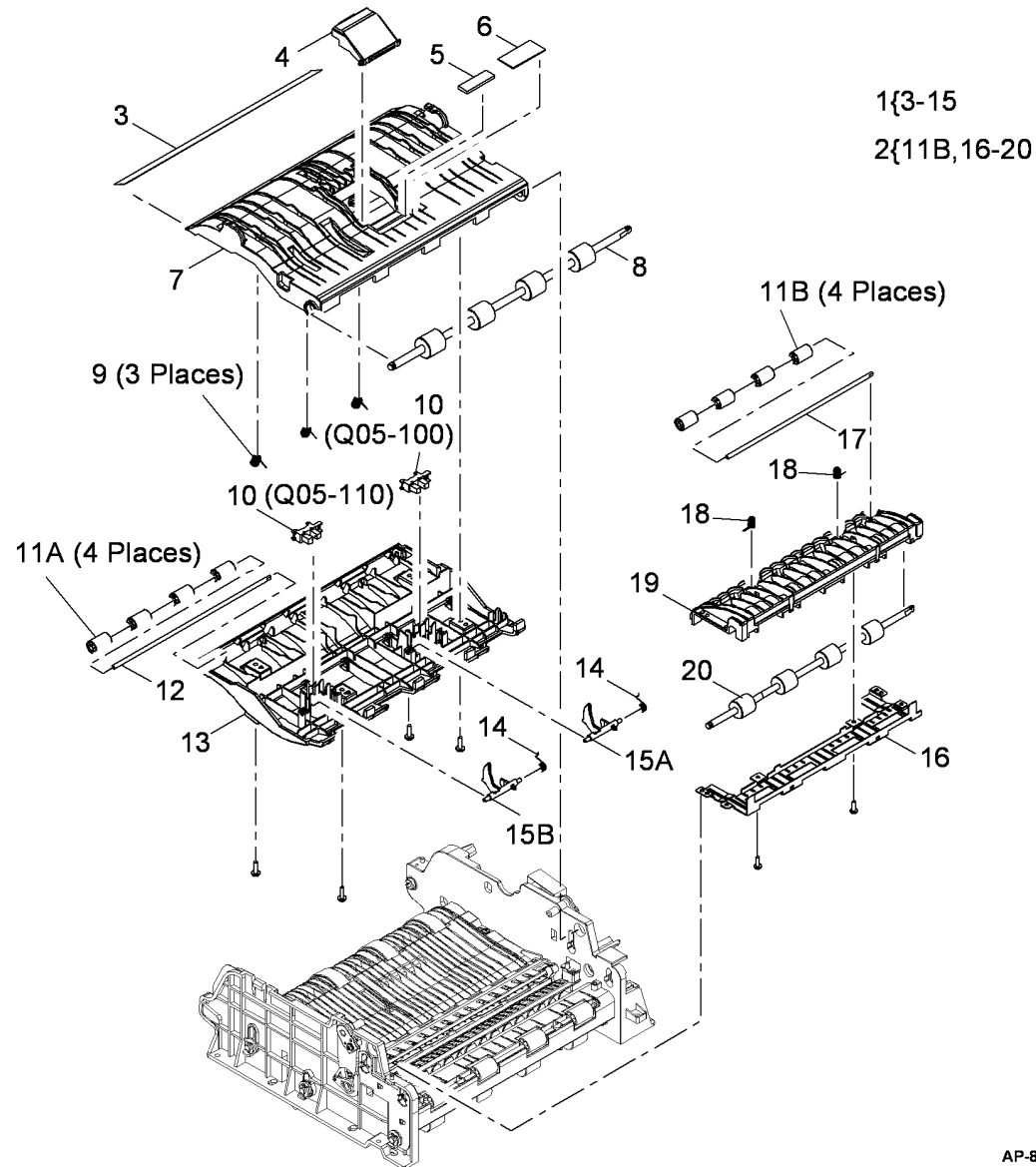


AP-8-0548-A

## PL 5.45 DADF Assembly (5 of 7) (4250/4260)

Item	Part	Description
1	-	Pickup guide assembly (P/O PL 5.30 Item 26) (REP 5.12)
2	-	Exit guide assembly (P/O PL 5.30 Item 26)
3	-	Guide (P/O PL 5.30 Item 26)
4	002N02819	Retard pad (See Note)
5	-	Sponge pad (P/O PL 5.45 Item 4)
6	-	Rubber pad (P/O PL 5.45 Item 4)
7	-	Pickup guide upper housing (P/O PL 5.30 Item 26)
8	-	Duplex roll (P/O PL 5.30 Item 26)
9	-	Feed idler spring (P/O PL 5.30 Item 26)
10	130N01274	Document detect sensor (Q05-100), Paper width sensor (Q05-110) (REP 5.12)
11	-	Transport idler (11A), Duplex roll idler (11A) (P/O PL 5.30 Item 26)
12	-	Idler shaft (P/O PL 5.30 Item 26)
13	-	Pickup guide lower housing (P/O PL 5.30 Item 26)
14	-	Actuator spring (P/O PL 5.30 Item 26)
15	-	Document detect sensor actuator (15A), Paper width sensor actuator (15B) (P/O PL 5.30 Item 26)
16	-	Exit guide lower housing (P/O PL 5.30 Item 26)
17	-	Idler shaft (P/O PL 5.30 Item 26)
18	-	Feed idler spring (P/O PL 5.30 Item 26)
19	-	Exit guide upper housing (P/O PL 5.30 Item 26)
20	-	Upper exit roll (P/O PL 5.30 Item 26)

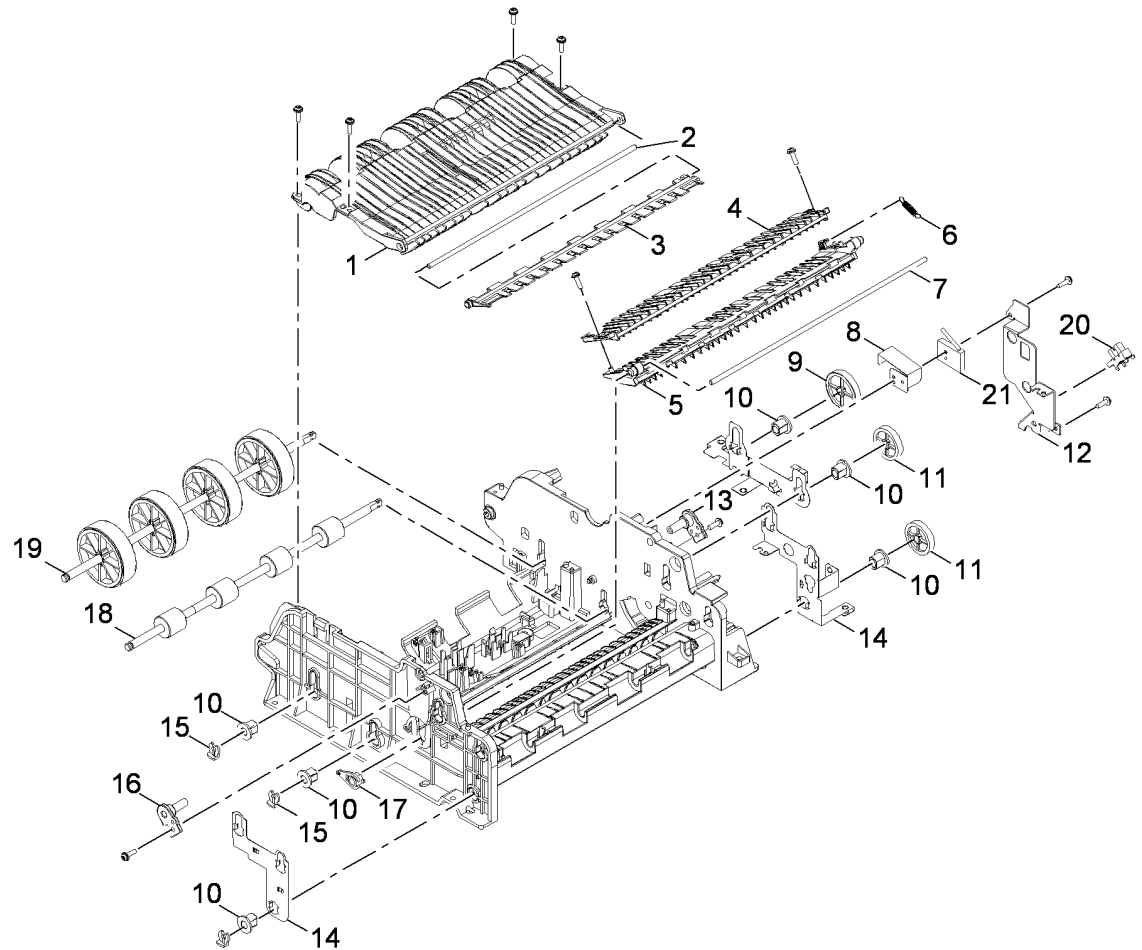
**NOTE:** HFSI. To reset the HFSI count, go to GP 16.



AP-8-0549-A

## PL 5.50 DADF Assembly (6 of 7) (4250/4260)

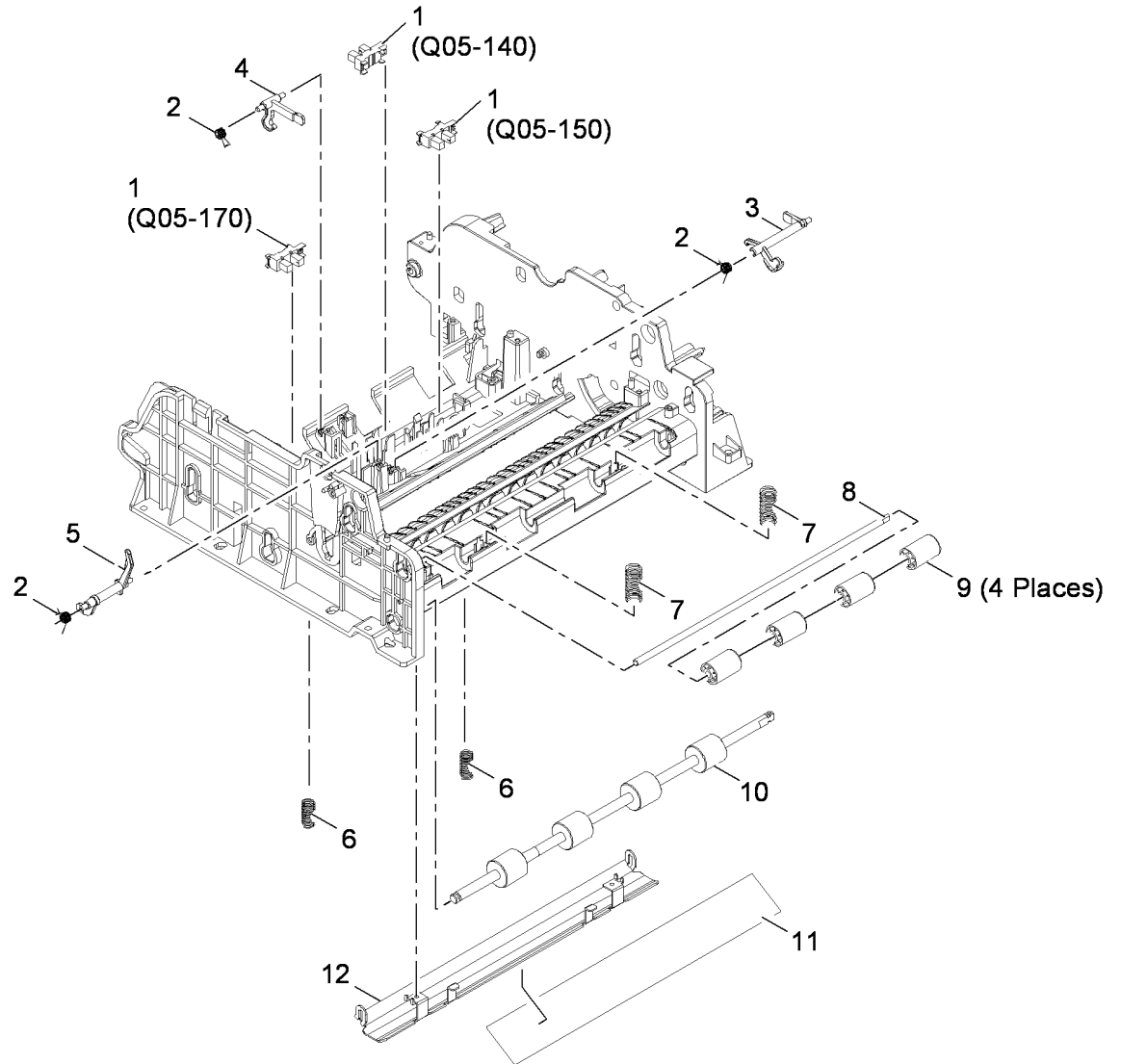
Item	Part	Description
1	–	Lower guide (P/O PL 5.30 Item 26)
2	–	Diverter shaft (P/O PL 5.30 Item 26)
3	–	Diverter (P/O PL 5.30 Item 26)
4	–	Upper separation gate (P/O PL 5.30 Item 26)
5	–	Lower separation gate (P/O PL 5.30 Item 26)
6	–	Spring (P/O PL 5.30 Item 26)
7	–	Separation guide shaft (P/O PL 5.30 Item 26)
8	–	Switch actuator (P/O PL 5.30 Item 26)
9	–	Gear (P/O PL 5.30 Item 26)
10	–	Bearing (P/O PL 5.30 Item 26)
11	–	Gear (P/O PL 5.30 Item 26)
12	–	Ground bracket (P/O PL 5.30 Item 26)
13	–	Rear stop (P/O PL 5.30 Item 26)
14	–	Ground strip (P/O PL 5.30 Item 26)
15	–	E-clip (Not Spared)
16	–	Front stop (P/O PL 5.30 Item 26)
17	–	Front separation guide bearing (P/O PL 5.30 Item 26)
18	–	Gate roll (P/O PL 5.30 Item 26)
19	–	CVT roll (P/O PL 5.30 Item 26)
20	130N01274	Gate HP sensor (REP 5.11)
21	–	Door open switch (S05-160) (P/O PL 5.30 Item 26)



AP-8-0550-A

## PL 5.55 DADF Assembly (7 of 7) (4250/4260)

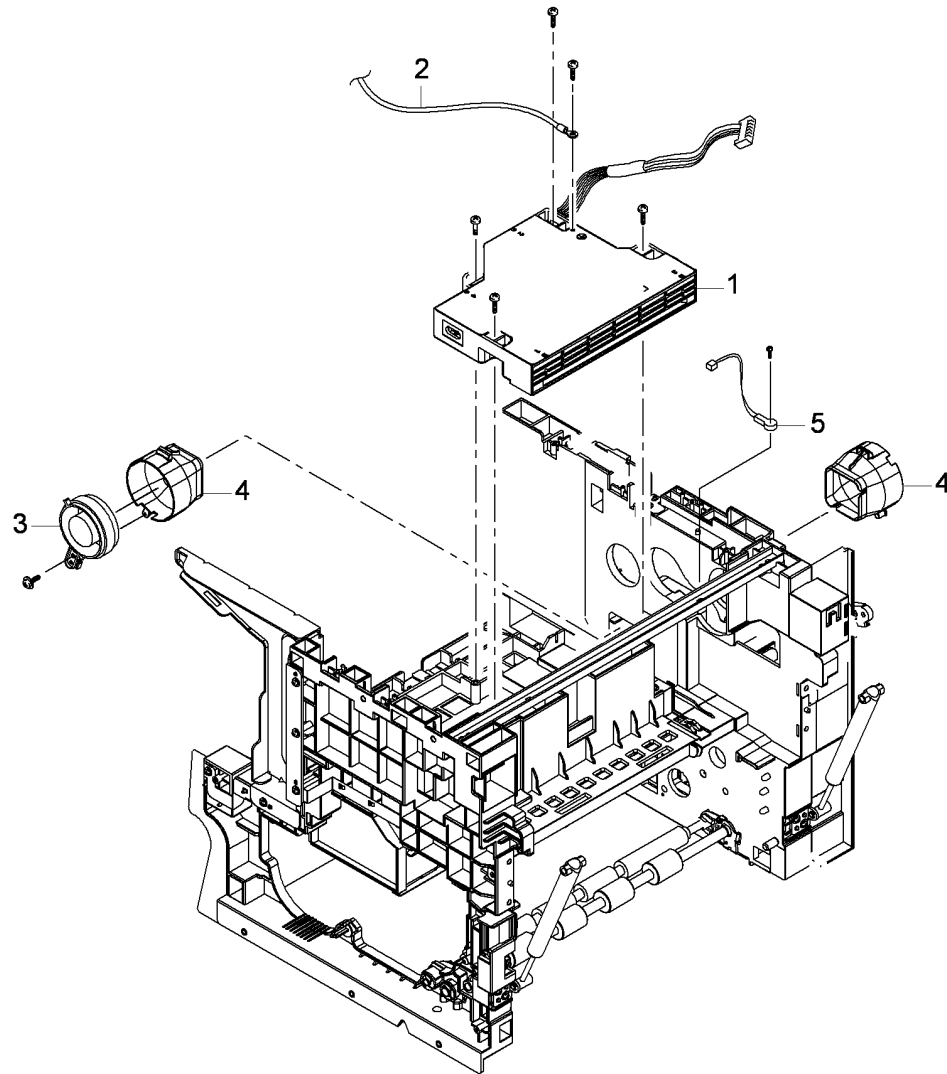
Item	Part	Description
1	130N01274	Duplex sensor (Q05-170), Scan sensor (Q05-140), Gate sensor (Q05-150) (REP 5.13)
2	-	Actuator spring (P/O PL 5.30 Item 26)
3	-	Gate sensor actuator (P/O PL 5.30 Item 26)
4	-	Scan sensor actuator (P/O PL 5.30 Item 26)
5	-	Duplex sensor actuator (P/O PL 5.30 Item 26)
6	-	Exit roll spring (P/O PL 5.30 Item 26)
7	-	Exit idler spring (P/O PL 5.30 Item 26)
8	-	Exit idler shaft (P/O PL 5.30 Item 26)
9	-	Upper exit roll idler (P/O PL 5.30 Item 26)
10	-	Lower exit roll (P/O PL 5.30 Item 26)
11	-	Cover (P/O PL 5.30 Item 26)
12	-	Strip (P/O PL 5.30 Item 26)



AP-8-0552-A

## PL 6.10 LSU

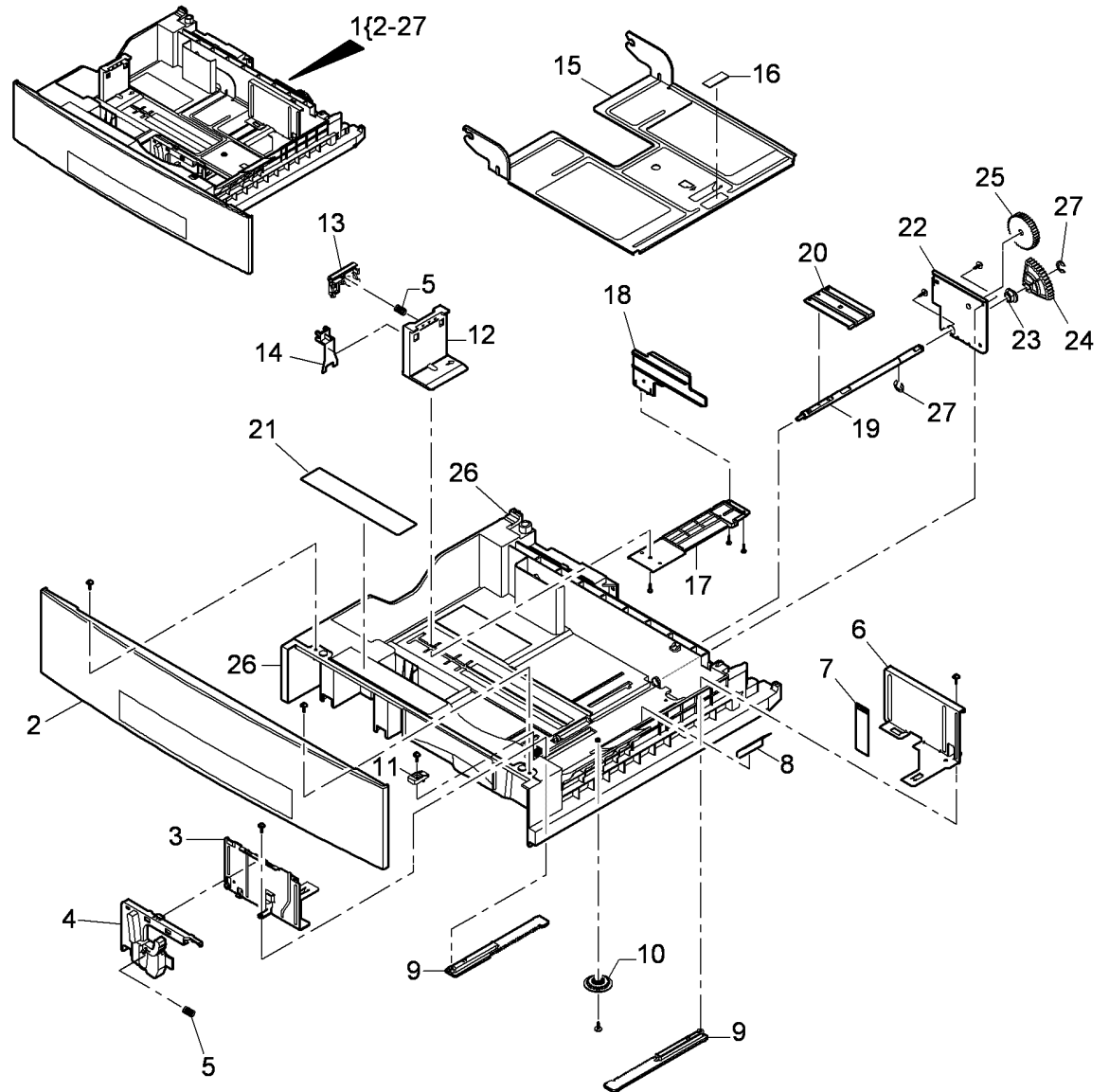
Item	Part	Description
1	062N00271	LSU (4150/4250) (REP 6.1)
-	122N00281	LSU (4260) (REP 6.1)
2	-	Ground harness (Not Spared)
3	127N07486	LSU fan (REP 6.2)
4	-	LSU fan duct (Not Spared)
5	130N01531	LSU thermistor (4250/4260)



AP-8-0508-A

## PL 7.10 Tray 1 - 4 Cassette Assembly

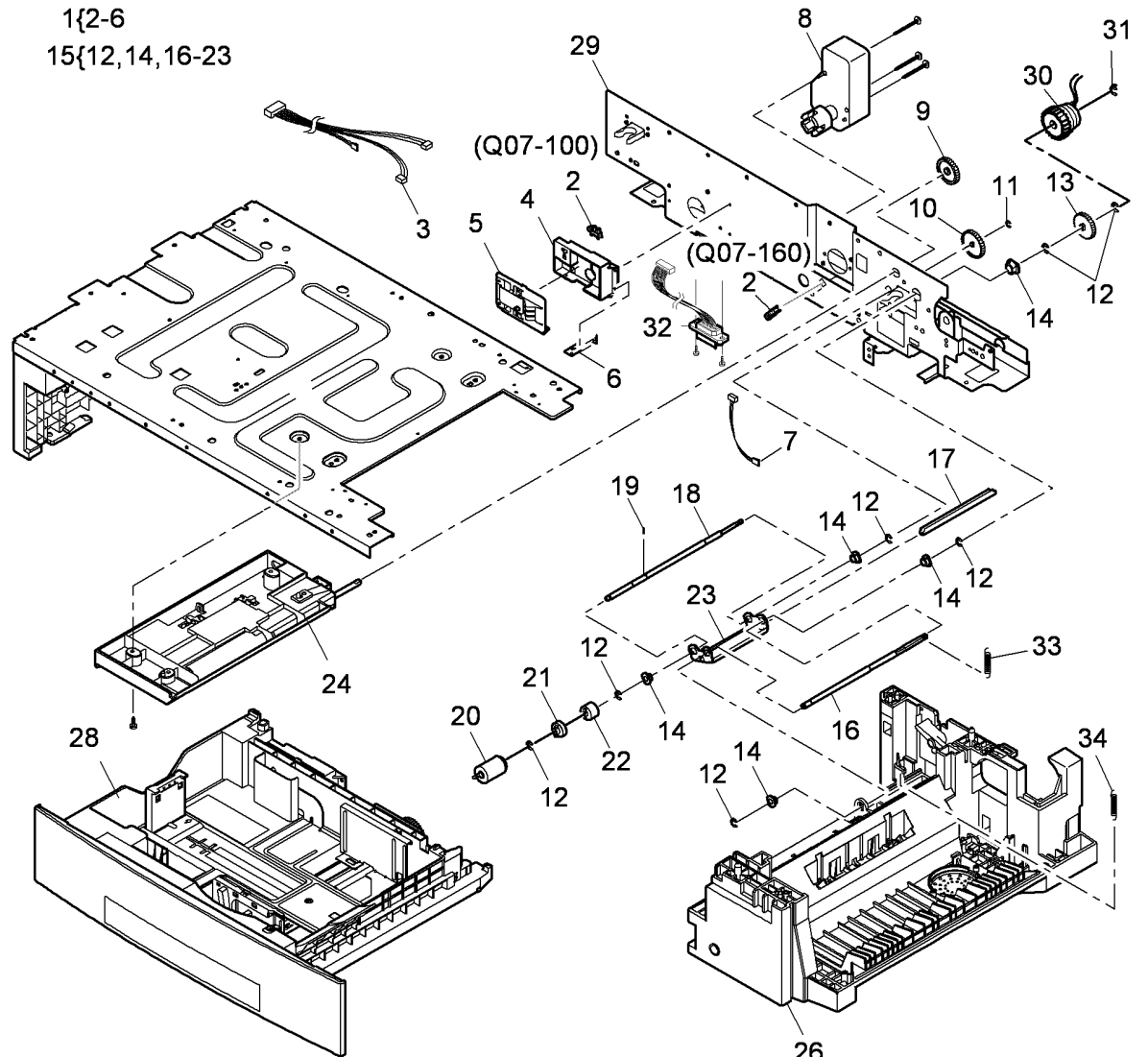
Item	Part	Description
1	050N00488	Cassette assembly
2	-	Cassette cover (P/O PL 7.10 Item 1)
3	038N00495	Left side paper guide
4	003N01005	Latch
5	009N01615	Latch spring
6	-	Right side paper guide (P/O PL 7.10 Item 1)
7	091N80243	MAX fill label
8	038N00496	Paper guide
9	-	Rack gear (P/O PL 7.10 Item 1)
10	007N01526	Pinion gear 24T
11	-	Knock-up plate stopper (P/O PL 7.10 Item 1)
12	032N00475	Rear paper guide
13	003N01011	Latch lever
14	032N00476	Latch
15	-	Knock-up plate (P/O PL 7.10 Item 1)
16	019N00796	Pad
17	095N00381	Actuator arm
18	-	Paper size actuator (P/O PL 7.10 Item 1)
19	-	Shaft (P/O PL 7.10 Item 1)
20	-	Lever (P/O PL 7.10 Item 1)
21	091N80244	Paper loading label
22	-	Bracket (P/O PL 7.10 Item 1)
23	-	Bush (P/O PL 7.10 Item 1)
24	007N01527	Elevator gear
25	007N01528	Drive gear
26	-	Cassette frame (P/O PL 7.10 Item 1)
27	-	E-Clip (Not Spared)



AP-8-0516-A

# PL 7.15 Tray 1 Frame Assembly (1 of 2)

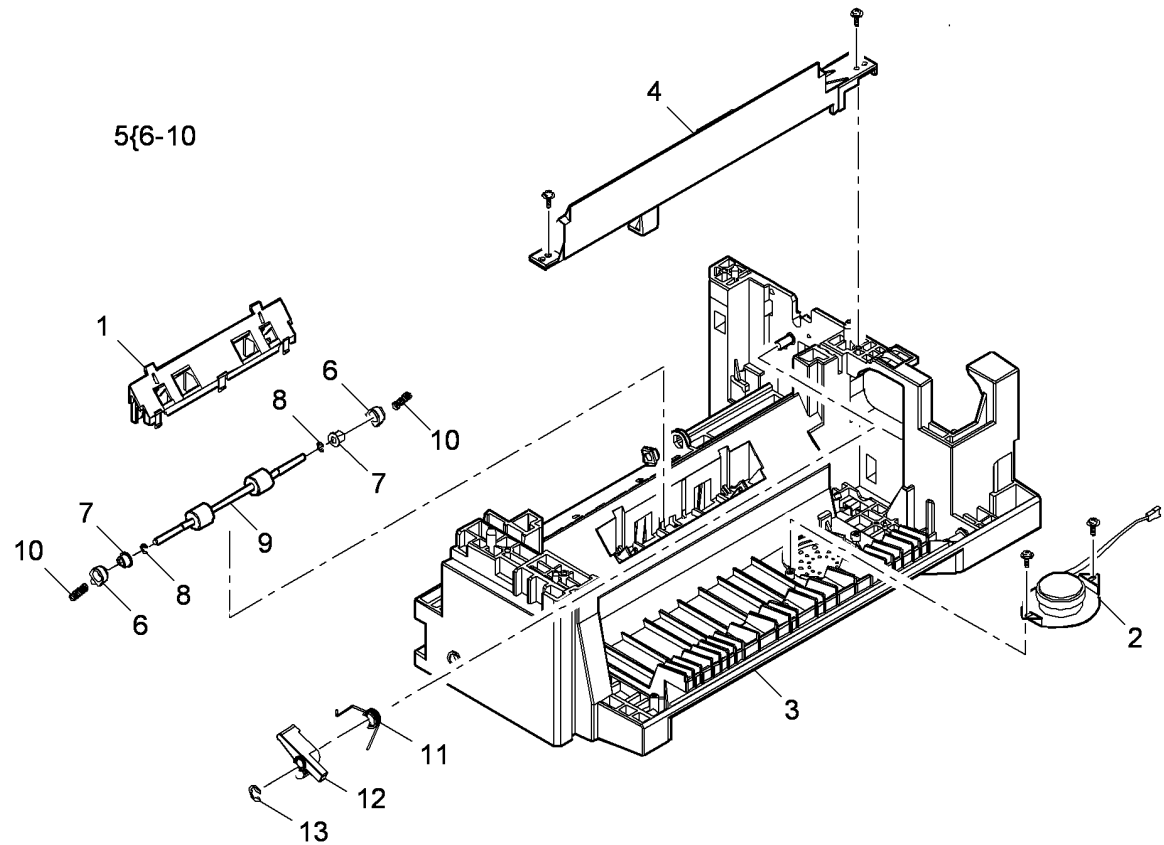
Item	Part	Description
1	130N01460	Paper size detect assembly (4150) (REP 7.3)
-	130N01560	Paper size detect assembly (4250/4260) (REP 7.3)
2	130N01274	Tray 1 home position sensor (Q07-100), Tray 1 paper low sensor (Q07-160)
3	-	Harness (P/O PL 7.15 Item 1)
4	-	Housing (P/O PL 7.15 Item 1)
5	130N01461	Paper size detect PWB (4150) (REP 7.3)
-	140N63404	Paper size detect PWB (4250/4260) (REP 7.3)
6	-	Grounding strip (P/O PL 7.15 Item 1)
7	-	Sensor harness (Not Spared)
8	127N07488	Tray 1 elevating motor (MOT04-510)
9	-	Tray 1 feed gear (Not Spared)
10	-	Retard roll gear (Not Spared)
11	-	E-Clip (Not Spared)
12	-	E-Clip (Not Spared)
13	007N01498	Pick-up gear
14	-	Bearing (P/O PL 7.15 Item 15)
15	022N02230	Retard assembly
16	-	Drive shaft (P/O PL 7.15 Item 15)
17	-	Actuator (P/O PL 7.15 Item 15)
18	006N01299	Retard shaft
19	006N01293	Pin
20	022N02232	Retard roll assembly
21	022N02231	Drive dog coupling
22	017N00259	Drive dog
23	-	Retard bracket (P/O PL 7.15 Item 15)
24	-	Tray feed assembly (REF: PL 8.10 Item 1)
25	-	Not used
26	-	Right hand base (REF: PL 7.17) (Not Spared)
27	-	Not used
28	-	Cassette (REF: PL 7.10)
29	-	Rear panel (Not Spared)
30	005N01085	Pick-up clutch (CL08-810)
31	-	K-L Clip (Not Spared)
32	152N11765	Tray connector (4250/4260)
33	009N01596	Spring
34	-	Feed assembly spring (REF: PL 8.10 Item 16)



AP-8-0503-B

## PL 7.17 Tray 1 Frame Assembly (2 of 2)

Item	Part	Description
1	038N00502	Guide (REP 8.7)
2	130N01213	Speaker (4150) (REP 8.4)
-	130N01550	Speaker (4250/4260) (REP 8.4)
3	-	Right hand base (Not Spared)
4	-	Guide (Not Spared)
5	022N02279	Transport roll idler assembly (REP 8.7)
6	-	Spring holder (P/O PL 7.17 Item 5)
7	-	Bearing (P/O PL 7.17 Item 5)
8	-	E-clip (Not Spared)
9	-	Transport roll idler (P/O PL 7.17 Item 5)
10	-	Spring (P/O PL 7.17 Item 5)
11	-	Spring (Not Spared)
12	-	Feedhead link arm (Not Spared)
13	-	E-clip (Not Spared)

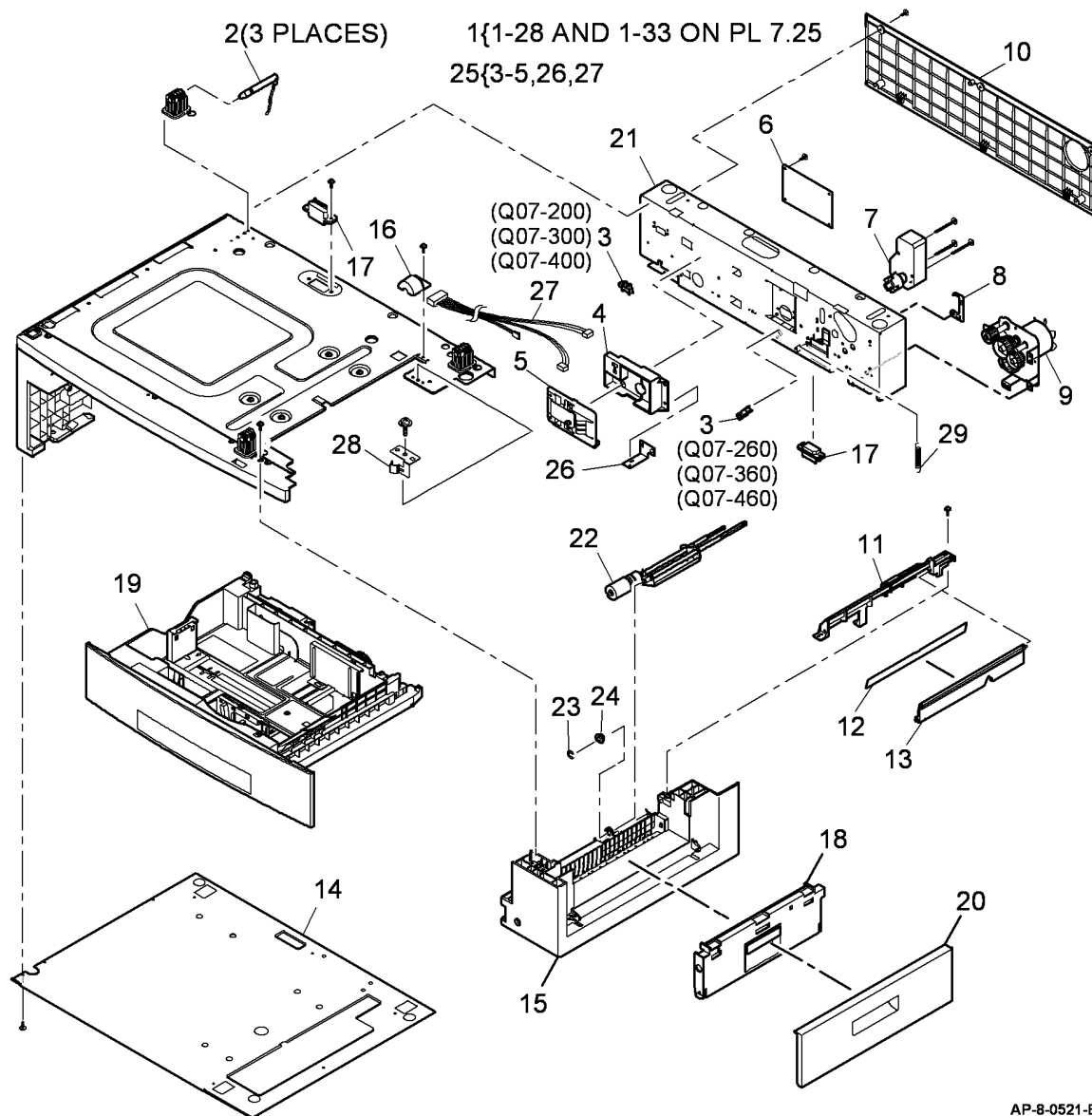


AP-8-0539-B



# PL 7.20 Trays 2 - 4 Frame Assembly (1 of 2)

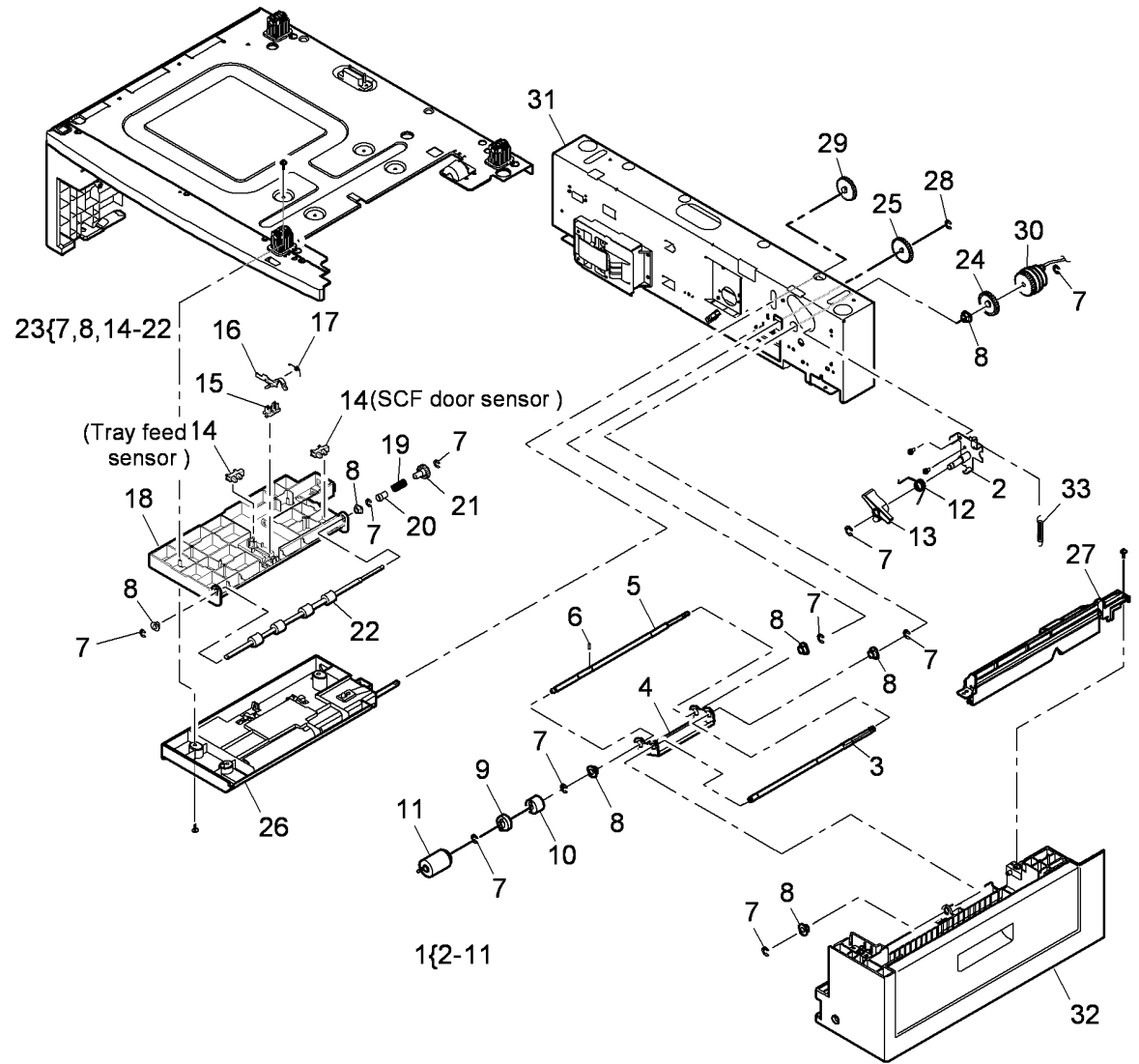
Item	Part	Description
1	062N00283	Tray assembly
2	-	Locking pin (P/O PL 7.20 Item 1)
3	130N01274	Tray home position sensor (Q07-200 tray 2), (Q07-300 tray 3), (Q07-400 tray 4). Paper low sensor (Q07-260 tray 2), (Q07-360 tray 3), (Q07-460 tray 4)
4	-	Housing (P/O PL 7.20 Item 1)
5	130N01461	Paper size detect PWB (REP 7.4)
6	140N63148	Tray PWB
7	127N07488	Tray elevating motor (MOT04-520 tray 2), (MOT04-530 tray 3), (MOT04-540 tray 4)
8	-	Ground strip (P/O PL 7.20 Item 1)
9	023N01160	Feed motor assembly
10	-	Rear cover (P/O PL 7.20 Item 1)
11	-	Retard assembly cover (P/O PL 7.20 Item 1)
12	032N00477	Mylar strip
13	-	Paper guide (P/O PL 7.20 Item 1)
14	-	Base cover (P/O PL 7.20 Item 1)
15	-	Right hand base (P/O PL 7.20 Item 1)
16	-	Gear cover (P/O PL 7.20 Item 1)
17	152N11714	Tray connector
18	002N02579	Access door assembly
19	-	Cassette (REF: PL 7.10)
20	-	Cover door (P/O PL 7.20 Item 1)
21	-	Rear panel (P/O PL 7.20 Item 1)
22	-	Retard assembly (REF: PL 7.25 Item 1)
23	-	E-Clip (Not Spared)
24	-	Bearing (P/O PL 7.20 Item 1)
25	130N01464	Paper size detect assembly (REP 7.3)
26	-	Grounding strip (P/O PL 7.20 Item 1)
27	-	Harness (P/O PL 7.20 Item 1)
28	002N02580	Grounding strip
29	-	Feed assembly spring (REF: PL 8.10 Item 16)



AP-8-0521-B

## PL 7.25 Trays 2 - 4 Frame Assembly (2 of 2)

Item	Part	Description
1	022N02230	Retard assembly
2	-	Link arm bracket (P/O PL 7.20 Item 1)
3	-	Drive shaft (P/O PL 7.20 Item 1)
4	-	Retard bracket (P/O PL 7.20 Item 1)
5	-	Retard shaft (P/O PL 7.20 Item 1)
6	006N01293	Pin
7	-	E-Clip (Not Spared)
8	-	Bearing (P/O PL 7.20 Item 1)
9	022N02231	Drive dog Coupling
10	017N00259	Drive dog
11	022N02232	Roll assembly (See Note 2)
12	-	Spring (P/O PL 7.20 Item 1)
13	-	Feed head link arm (P/O PL 7.20 Item 1)
14	130N01274	Tray feed sensor, SCF door sensor (See Note 1)
15	-	Cradle (P/O PL 7.20 Item 1)
16	-	Actuator (P/O PL 7.20 Item 1)
17	-	Spring (P/O PL 7.20 Item 1)
18	-	Paper transport housing (P/O PL 7.20 Item 1)
19	009N01605	Spring Clutch
20	-	Bush holder (P/O PL 7.20 Item 1)
21	007N01529	Gear
22	-	Transport roll (P/O PL 7.20 Item 1)
23	-	Paper transport (P/O PL 7.20 Item 1)
24	007N01498	Gear, retard assembly
25	007N01532	Gear, paper transport assembly
26	-	Tray feed assembly (REF: PL 8.10)
27	-	Paper guide assembly (P/O PL 7.20 Item 1)
28	-	E-Clip (Not Spared)
29	007N01531	Gear, tray feeder assembly
30	005N01085	Tray pickup clutch (Tray 2 CL08-820), (Tray 3 CL08-830), (Tray 4 CL08-840)
31	-	Rear frame (P/O PL 7.20 Item 1)
32	-	R/H base (P/O PL 7.20 Item 1)
33	009N01596	Spring



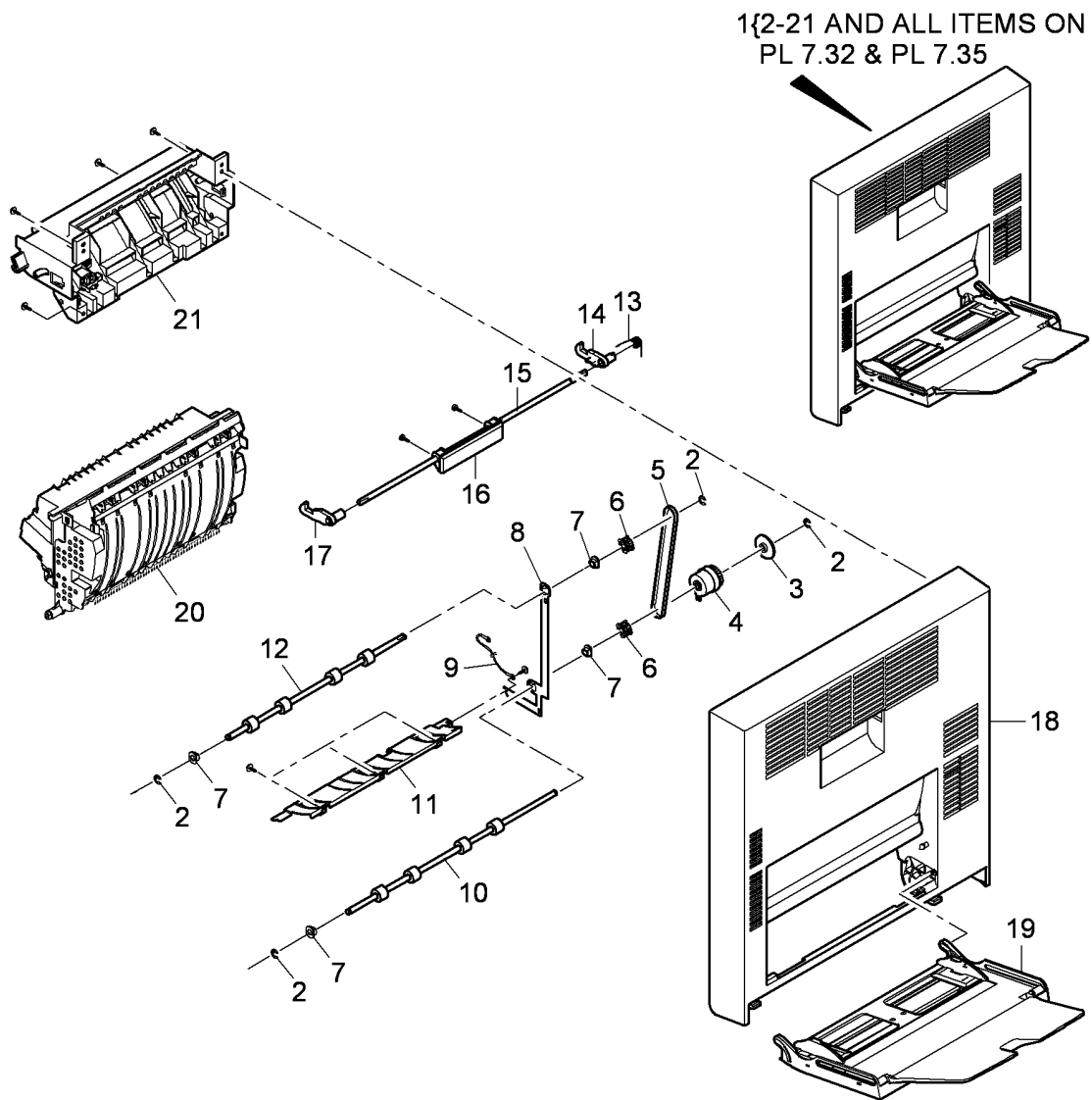
**NOTE:** 1. The tray feed sensor and the SCF door sensor component control codes are common, (Tray 2 Q08-200), (Tray 3 Q08-300), (Tray 4 Q08-400).

**NOTE:** 2. HFSI. To reset the HFSI count, go to GP 16.

AP-8-0518-C

## PL 7.30 Side Cover Assembly (1 of 3)

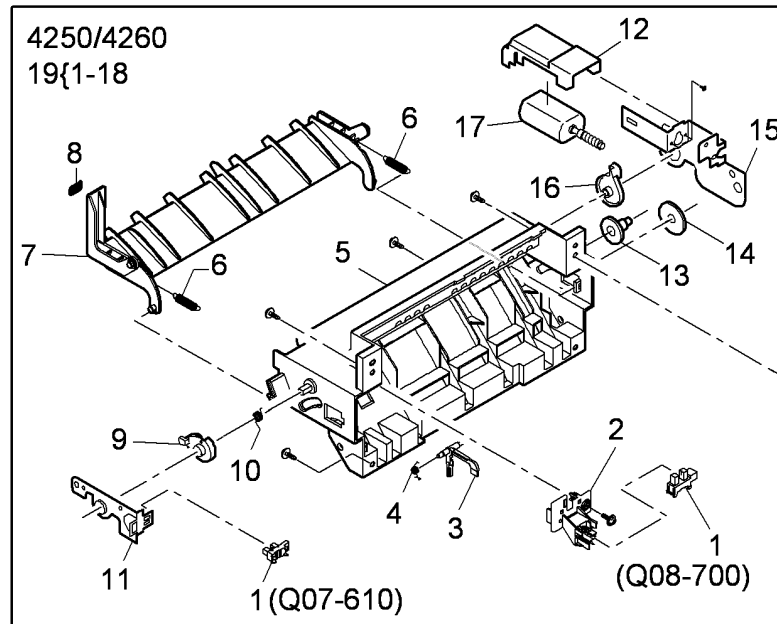
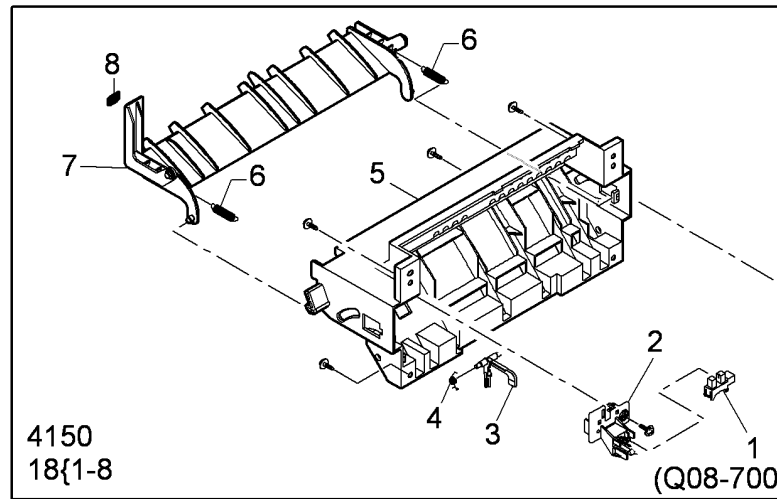
Item	Part	Description
1	002N02561	Side cover assembly (4150) (REP 8.1)
-	002N02875	Side cover assembly (4250/4260) (REP 8.1)
2	-	E-Clip (Not Spared)
3	-	Collar (P/O PL 7.30 Item 1)
4	005N01088	Duplex feed clutch (CL08-860) (4150)
-	005N01116	Duplex feed clutch (CL08-860) (4250/4260)
5	007N01530	Belt
6	020N00829	Duplex pulley
7	-	Bearing (P/O PL 7.30 Item 1)
8	-	Ground strip (P/O PL 7.30 Item 1)
9	-	Ground harness (P/O PL 7.30 Item 1)
10	022N02274	Duplex feed roll 2
11	-	Duplex guide (P/O PL 7.30 Item 1)
12	022N02275	Duplex feed roll 1
13	009N01366	Latch spring
14	003N01017	Rear latch
15	-	Shaft (P/O PL 7.30 Item 1)
16	-	Handle (P/O PL 7.30 Item 1)
17	003N01016	Latch front
18	-	Side cover (P/O PL 7.30 Item 1)
19	-	Bypass tray (REF: PL 7.40 Item 1)
20	-	Duplex assembly (REF: PL 7.35 Item 1)
21	-	Duplex side guide assembly (REF: PL 7.32 Item 18, PL 7.32 Item 19)



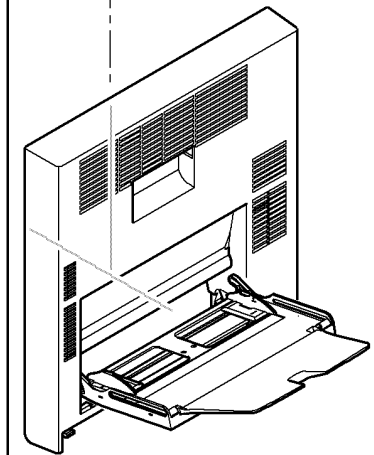
AP-8-0514-B

## PL 7.32 Side Cover Assembly (2 of 3)

Item	Part	Description
1	130N01274	Duplex jam 1 sensor (Q08-700), Envelope sensor (Q07-610)
2	120N00528	Sensor holder
3	-	Duplex jam 1 sensor actuator (P/O PL 7.32 Item 20)
4	009N01597	Spring
5	-	Duplex side guide (P/O PL 7.32 Item 18, PL 7.32 Item 19)
6	009N01598	Spring
7	-	Duplex exit guide (P/O PL 7.32 Item 18, PL 7.32 Item 19)
8	-	Label (P/O PL 7.32 Item 18, PL 7.32 Item 19)
9	-	Front cam (P/O PL 7.32 Item 19) (4250/4260)
10	-	Spring (P/O PL 7.32 Item 19) (4250/4260)
11	-	Front bracket (P/O PL 7.32 Item 19) (4250/4260)
12	-	Fuser release motor cover (P/O PL 7.32 Item 19) (4250/4260)
13	-	Drive gear (P/O PL 7.32 Item 19) (4250/4260)
14	-	Transfer gear (P/O PL 7.32 Item 19)
15	-	Rear bracket (P/O PL 7.32 Item 19) (4250/4260)
16	-	Rear cam (P/O PL 7.32 Item 19) (4250/4260)
17	-	Envelope motor (MOT07-600) (P/O PL 7.32 Item 19) (4250/4260)
18	-	Duplex side guide assembly (P/O PL 7.30 Item 1) (4150)
19	-	Duplex side guide assembly (P/O PL 7.30 Item 1) (4250/4260)
20	120N00500	Actuator assembly



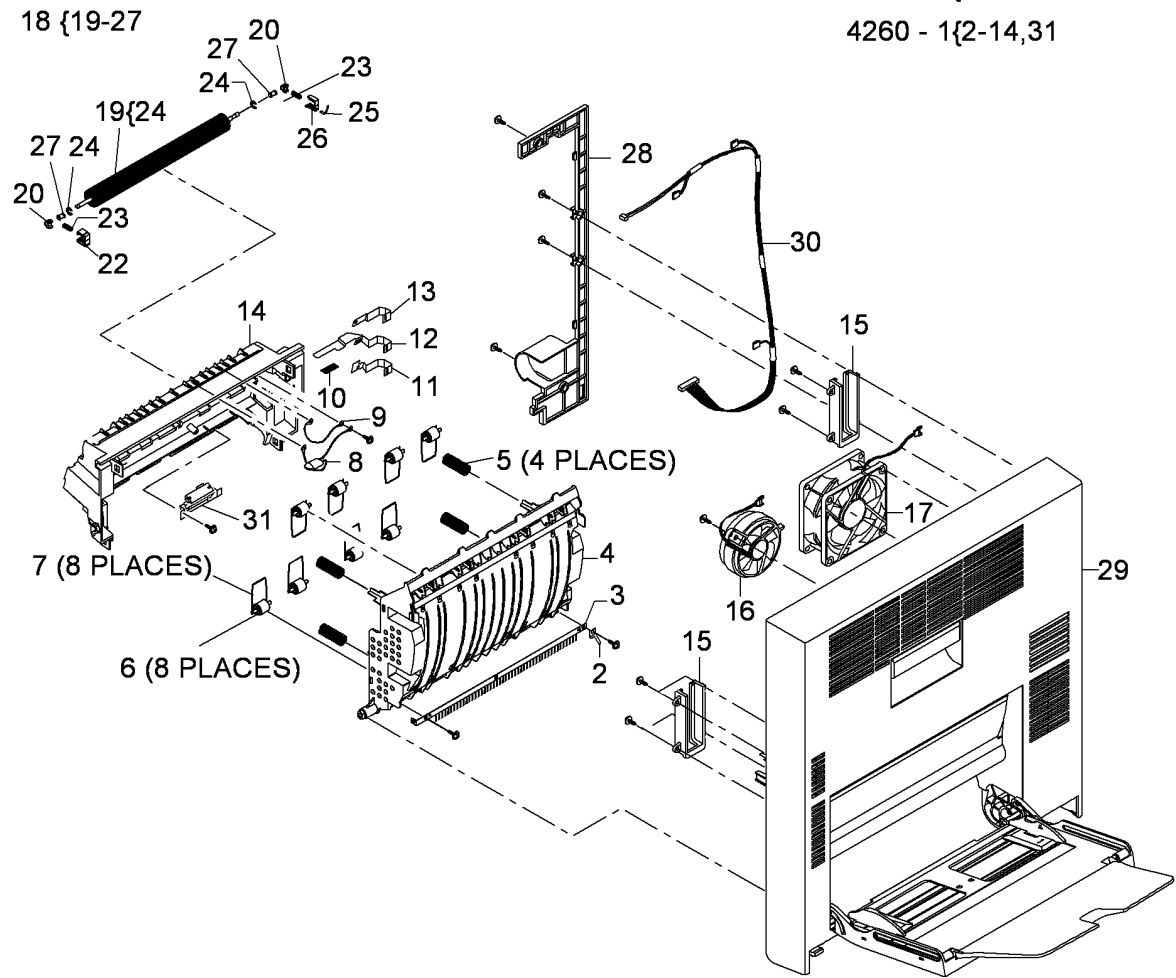
20{2-4}



AP-8-0557-B

## PL 7.35 Side Cover Assembly (3 of 3)

Item	Part	Description
1	002N02576	Duplex assembly (4150)
-	002N02834	Duplex assembly (4250/4260)
2	-	Grounding brush (P/O PL 7.35 Item 1)
3	115N00860	Static eliminator
4	-	Duplex guide (P/O PL 7.35 Item 1)
5	009N01599	Spring
6	022N02234	Duplex idler roll
7	115N00864	Spring clip
8	-	Ground harness assembly (P/O PL 7.35 Item 1)
9	-	Ground harness (P/O PL 7.35 Item 1)
10	-	Double sided tape (P/O PL 7.35 Item 1)
11	-	Transfer ground strip (P/O PL 7.35 Item 1)
12	-	Detack ground strip (P/O PL 7.35 Item 1)
13	-	Ground strip (P/O PL 7.35 Item 1)
14	-	Feed guide (P/O PL 7.35 Item 1)
15	-	Damper bracket (P/O PL 7.35 Item 1)
16	127N07485	Duplex fan 1 (4150)
-	127N07583	Duplex fan 1 (4250/4260)
17	127N07545	Duplex fan 2 (4150)
-	127N07590	Duplex fan 2 (4250/4260)
18	022N02277	Transfer roll assembly (See Note)
19	022N02235	Transfer roll (See Note)
20	013N00537	Bush
21	-	Not used
22	019N00913	Retainer
23	009N01600	Spring
24	-	E-Clip (Not Spared)
25	009N01601	Spring plate
26	019N00914	Retainer
27	016N00289	Bush
28	-	Harness cover (P/O PL 7.35 Item 1)
29	-	Side cover (REF: PL 7.30 Item 1)
30	152N11710	Duplex harness (4150)
-	152N11767	Duplex harness (4250/4260)
31	002N02835	ID sensor bracket assembly (4250/4260)



4150 - 1{2-14

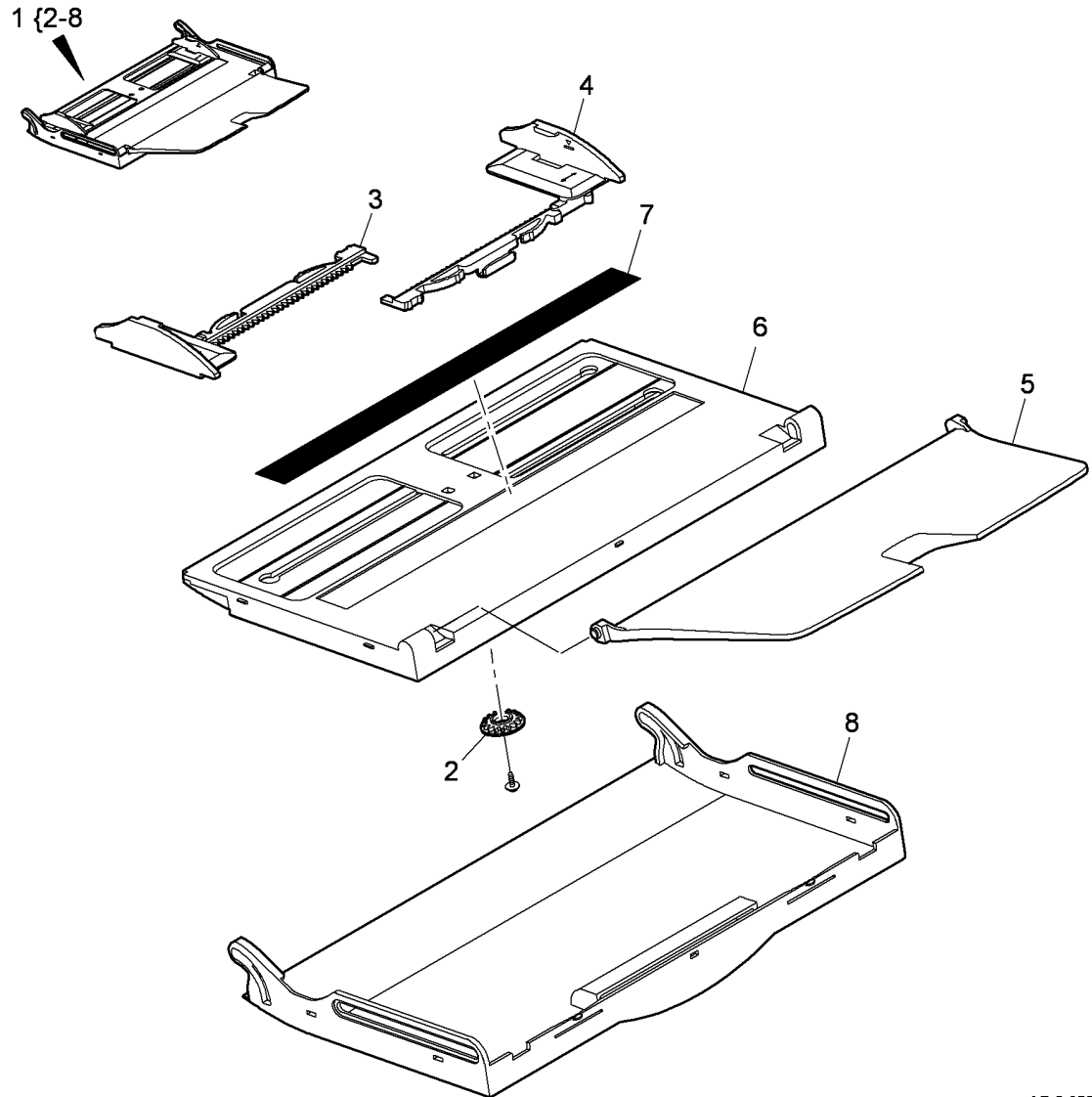
4260 - 1{2-14,31

**NOTE:** HFSI. To reset the HFSI count, go to GP 16.

AP-8-0526-B

## PL 7.40 Bypass Tray

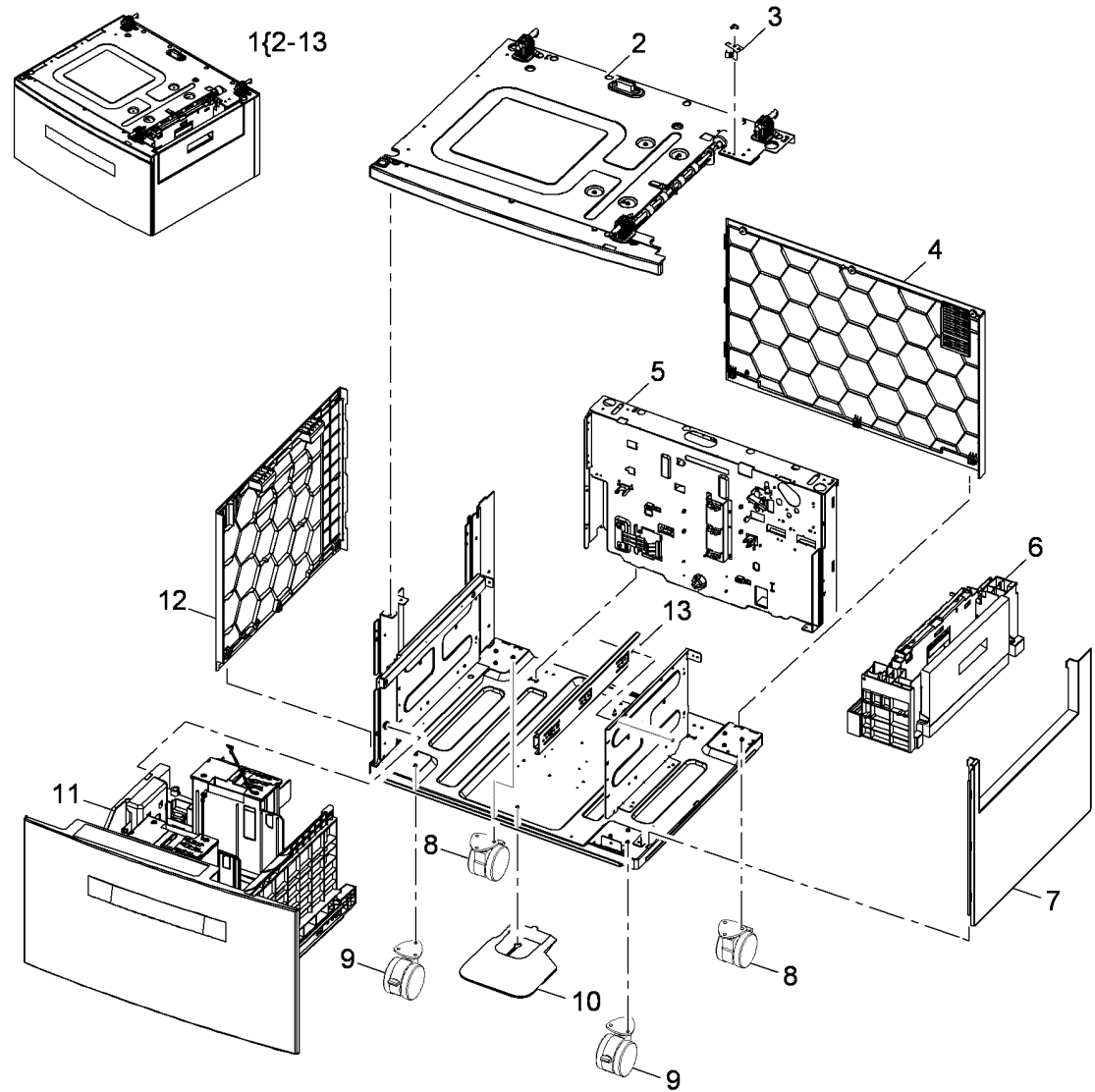
Item	Part	Description
1	050N00493	Bypass tray assembly
2	007N01210	Pinion gear
3	-	Side guide left (P/O PL 7.40 Item 1)
4	-	Side guide right (P/O PL 7.40 Item 1)
5	050N00495	Exit tray
6	-	Top cover (P/O PL 7.40 Item 1)
7	-	Bypass label (P/O PL 7.40 Item 1)
8	-	Lower cover (P/O PL 7.40 Item 1)



AP-8-0527-A

## PL 7.45 HCF (1 of 5)

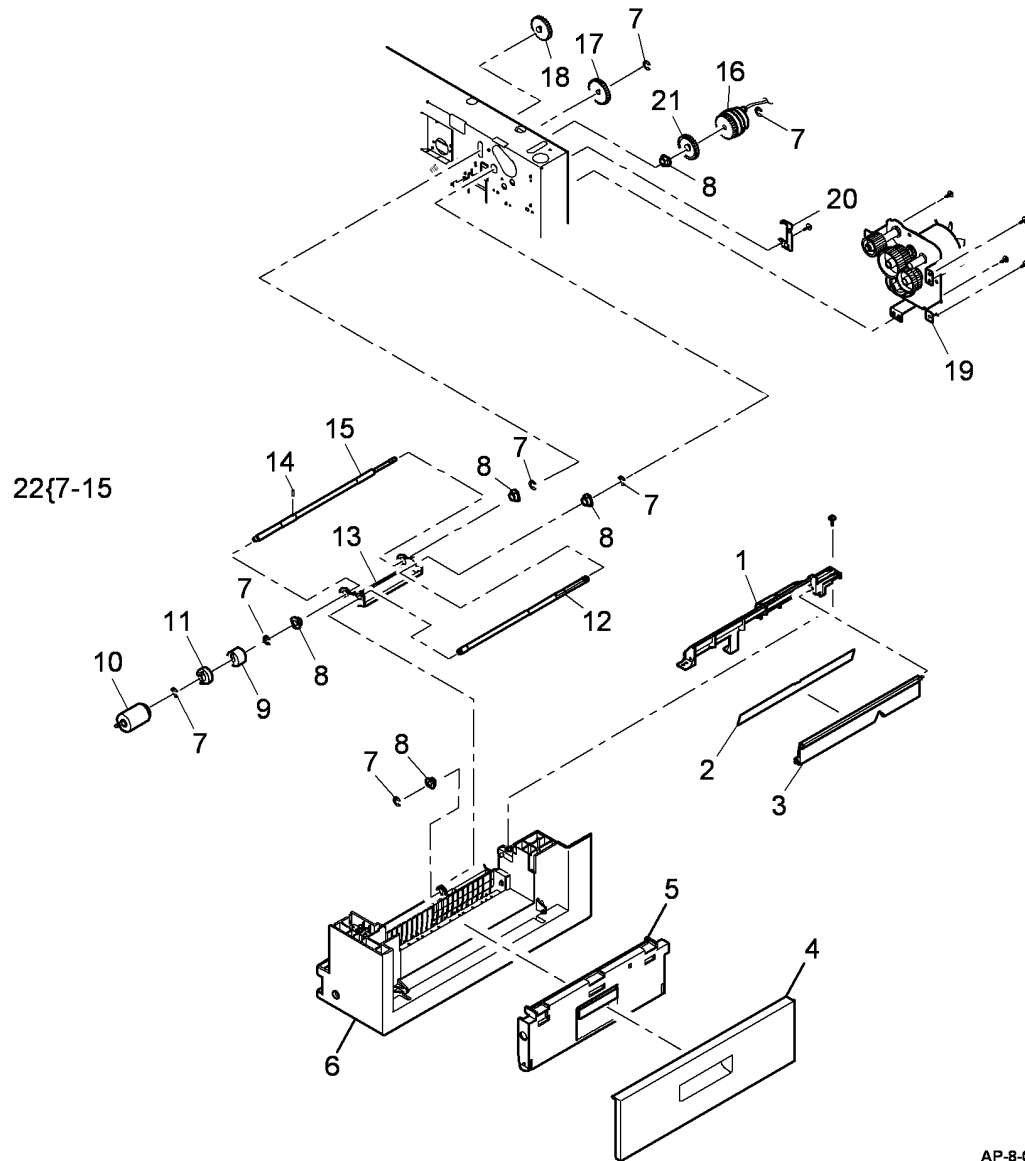
Item	Part	Description
1	022N02382	HCF assembly
2	-	Top frame assembly (P/O PL 7.45 Item 1)
3	-	Ground clip (P/O PL 7.45 Item 1)
4	-	Rear cover (P/O PL 7.45 Item 1)
5	-	Rear frame assembly (REF: PL 7.60)
6	-	Jam release assembly (REF: PL 7.50)
7	-	Right cover (P/O PL 7.45 Item 1)
8	017N00283	Rear caster
9	017N00282	Front caster
10	-	Stability foot (P/O PL 7.45 Item 1)
11	-	HCF tray (REF: PL 7.55 Item 1)
12	-	Left cover (P/O PL 7.45 Item 1)
13	-	Slide assembly (P/O PL 7.45 Item 1)



AP-8-0553-A

# PL 7.50 HCF (2 of 5)

Item	Part	Description
1	-	Retard assembly cover (P/O PL 7.45 Item 1)
2	032N00477	Mylar strip
3	-	Paper guide (P/O PL 7.45 Item 1)
4	-	Cover door (P/O PL 7.45 Item 1)
5	002N02579	Access door assembly
6	-	Right hand base (P/O PL 7.45 Item 1)
7	-	E-clip (Not Spared)
8	-	Bearing (P/O PL 7.50 Item 22)
9	017N00259	Drive dog
10	022N02232	Retard roll assembly
11	022N02231	Drive dog coupling
12	-	Drive shaft (P/O PL 7.50 Item 22)
13	-	Retard bracket (P/O PL 7.50 Item 22)
14	006N01293	Pin
15	-	Retard shaft (P/O PL 7.50 Item 22)
16	005N01085	Tray pickup clutch (CL08-830)
17	-	Gear, paper transport assembly (P/O PL 7.45 Item 1)
18	-	Gear, tray feeder assembly (P/O PL 7.45 Item 1)
19	023N01160	Feed motor assembly (MOT08-930)
20	-	Ground strip (P/O PL 7.45 Item 1)
21	007N01498	Gear, retard assembly
22	022N02230	Retard assembly

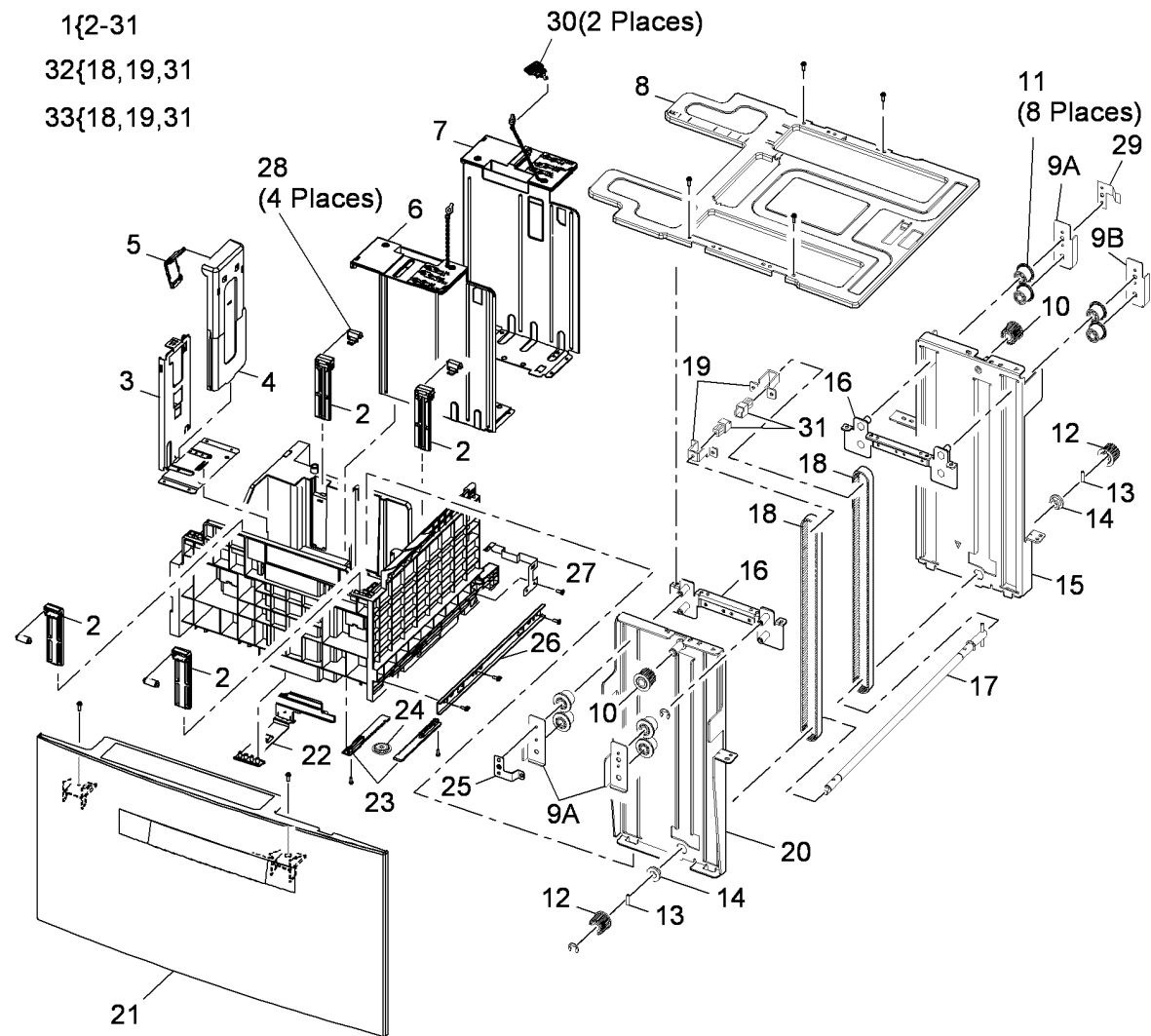


AP-8-0560-B



# PL 7.55 HCF (3 of 5)

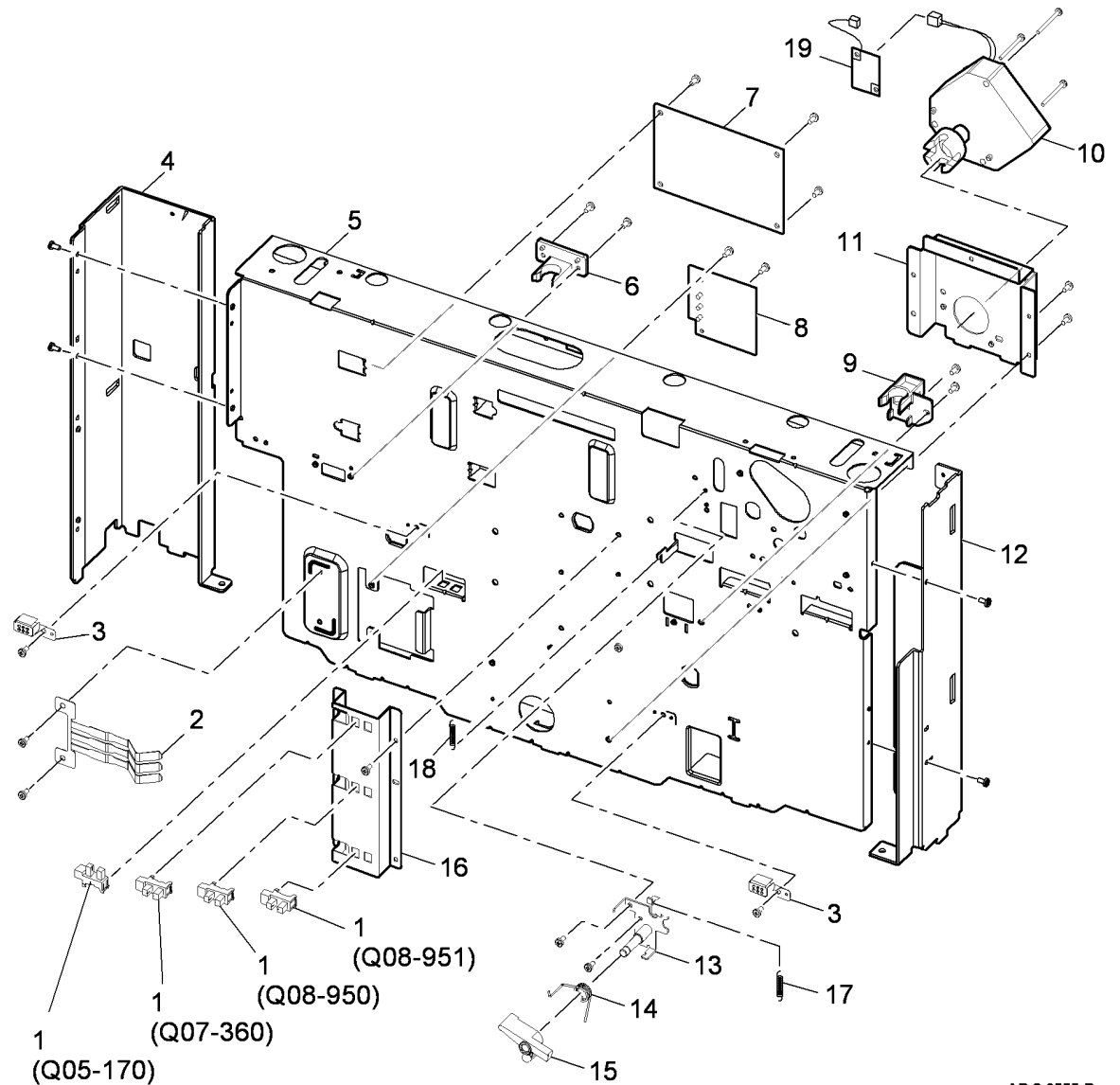
Item	Part	Description
1	050N00538	HCF tray
2	009N01644	Guide spring
3	-	Left paper guide bracket (P/O PL 7.55 Item 1)
4	002N02864	Left paper guide cover
5	002N02865	Hook
6	-	Front paper guide (P/O PL 7.55 Item 1)
7	-	Rear paper guide (P/O PL 7.55 Item 1)
8	-	Knock up plate (P/O PL 7.55 Item 1)
9	-	Idler bracket (9A), Paper level sensor actuator (9B) (P/O PL 7.55 Item 1)
10	-	Gear (P/O PL 7.55 Item 1)
11	-	Idler (P/O PL 7.55 Item 1)
12	-	Gear (P/O PL 7.55 Item 1)
13	-	Pin (P/O PL 7.55 Item 1)
14	-	Bearing (P/O PL 7.55 Item 1)
15	-	Rear lift plate (P/O PL 7.55 Item 1)
16	-	Bracket (P/O PL 7.55 Item 1)
17	-	Drive shaft (P/O PL 7.55 Item 1)
18	023N01192	Belt
19	-	Bracket (P/O PL 7.55 Item 32, PL 7.55 Item 33)
20	-	Front lift plate (P/O PL 7.55 Item 1)
21	-	Front cover (P/O PL 7.55 Item 1)
22	-	Sub support bar (P/O PL 7.55 Item 1)
23	-	Rack gear (P/O PL 7.55 Item 1)
24	-	Pinion gear (P/O PL 7.55 Item 1)
25	-	Ground strip (P/O PL 7.55 Item 1)
26	-	Slide assembly (P/O PL 7.55 Item 1)
27	-	Ground strip (P/O PL 7.55 Item 1)
28	009N01643	Spring roll
29	-	Ground strip (P/O PL 7.55 Item 1)
30	029N00399	Paper size lock
31	-	Clamp (P/O PL 7.55 Item 32, PL 7.55 Item 33)
32	023N01191	Rear belt clamp assembly
33	023N01193	Front belt clamp assembly



AP-8-0554-A

## PL 7.60 HCF (4 of 5)

Item	Part	Description
1	130N01274	Tray home sensor (Q05-170), paper low sensor (Q07-360), HCF level sensor 2 (Q08-950), HCF level sensor 3 (Q08-951)
2	-	Leaf spring (P/O PL 7.45 Item 1)
3	-	Ground strip (P/O PL 7.45 Item 1)
4	-	Left plate (P/O PL 7.45 Item 1)
5	-	Frame (P/O PL 7.45 Item 1)
6	-	Left clip (P/O PL 7.45 Item 1)
7	140N63148	HCF PWB
8	050N00539	Paper size detect PWB
9	-	Right clip (P/O PL 7.45 Item 1)
10	127N07592	HCF elevating motor (MOT04-530)
11	-	HCF elevating motor bracket (P/O PL 7.45 Item 1)
12	-	Right plate (P/O PL 7.45 Item 1)
13	-	Link arm bracket (P/O PL 7.45 Item 1)
14	-	Spring (P/O PL 7.45 Item 1)
15	-	Feed head link arm (P/O PL 7.45 Item 1)
16	-	Sensor bracket (P/O PL 7.45 Item 1)
17	009N01596	Spring
18	-	Feed assembly spring (REF: PL 8.10 Item 16)
19	140N63395	PTC PWB

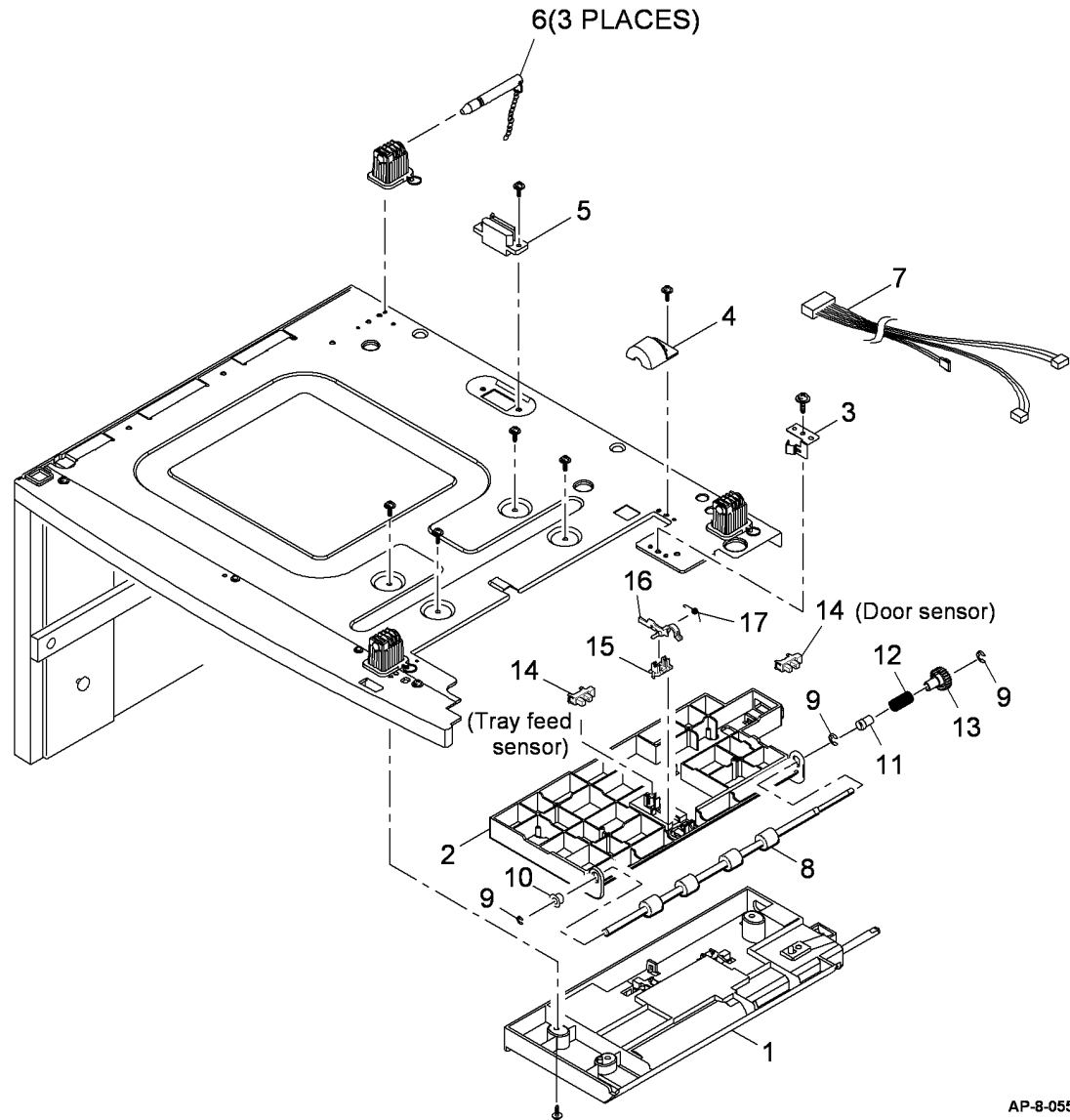


AP-8-0555-B

## PL 7.65 HCF (5 of 5)

Item	Part	Description
1	-	Tray feed assembly (REF: PL 8.10 Item 1)
2	-	Paper transport housing
3	002N02580	Ground strip
4	-	Gear cover (P/O PL 7.45 Item 1)
5	152N11714	Tray connector
6	-	Locking pin (P/O PL 7.45 Item 1)
7	-	Harness (P/O PL 7.45 Item 1)
8	-	Transport roll (P/O PL 7.45 Item 1)
9	-	E-clip (Not Spared)
10	-	Bearing (P/O PL 7.45 Item 1)
11	-	Bush holder (P/O PL 7.45 Item 1)
12	009N01605	Spring clutch
13	007N01529	Gear (REP 7.6)
14	130N01274	Tray feed sensor, door sensor (See Note) (REP 7.6)
15	-	Cradle (P/O PL 7.45 Item 1)
16	-	Actuator (P/O PL 7.45 Item 1)
17	-	Spring (P/O PL 7.45 Item 1)

**NOTE:** The tray feed sensor and the SCF door sensor component control codes are common.



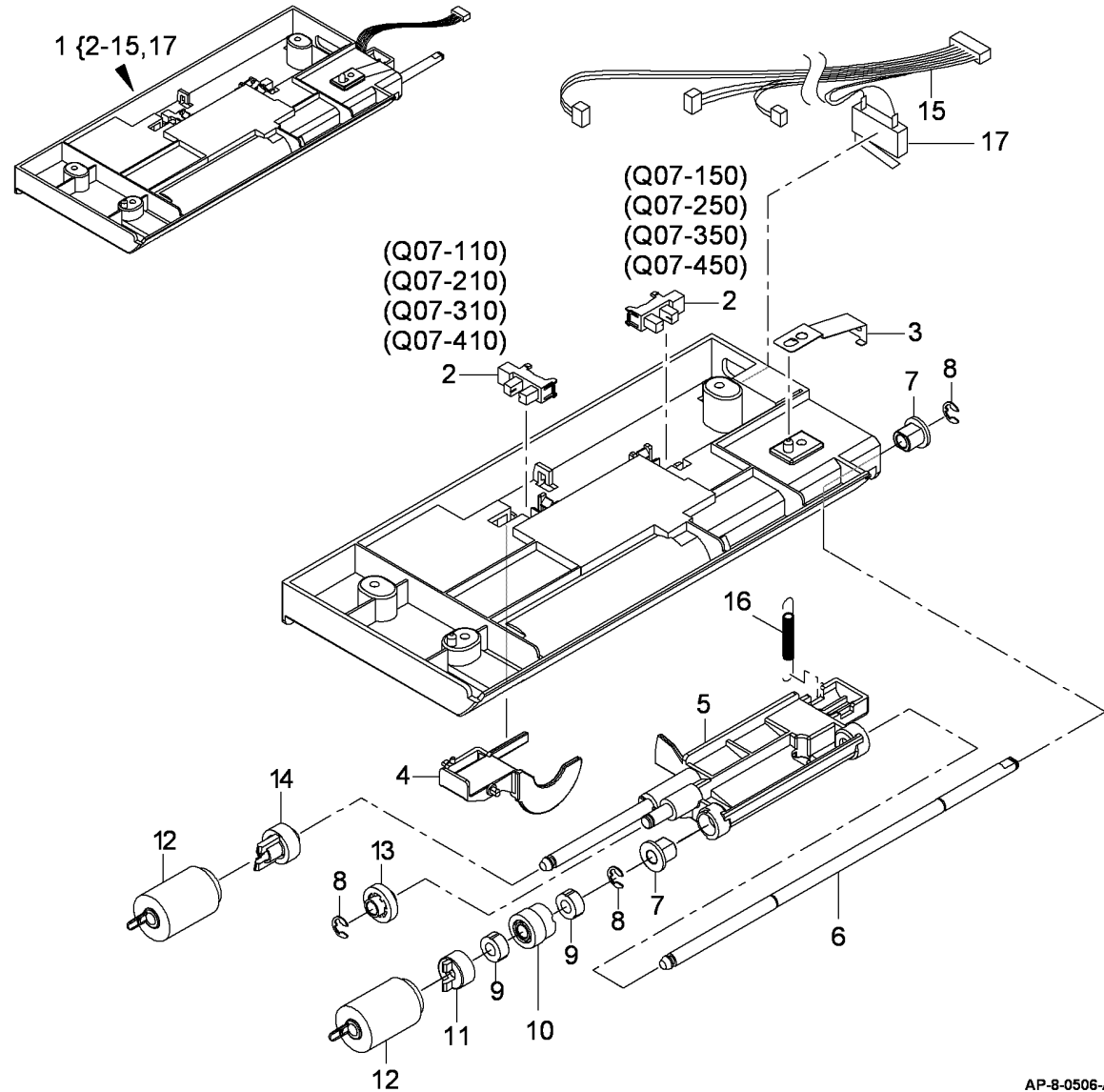
AP-8-0556-A

## PL 8.10 Tray 1-4 & HCF Feed Assembly

Item	Part	Description
1	130N01559	Tray 1 feed assembly (4250/4260) (See Note 2)
-	130N01459	Tray 1 feed assembly (4150) / Trays 2-4 feed assembly (4150/ 4250/4260) (See Note 2)
-	130N01562	HCF tray feed assembly (4250/ 4260)
2	130N01274	Paper empty sensor (Q07-110 tray 1), (Q07-210 tray 2), (Q07-310 tray 3), (Q07-410 tray 4), Stack height sensor (Q07-150 tray 1), (Q07-250 tray 2), (Q07-350 tray 3/ HCF), (Q07-450 tray 4). (See Note 2)
3	-	Ground strip (P/O PL 8.10 Item 1)
4	-	Actuator (P/O PL 8.10 Item 1)
5	-	Feed head (P/O PL 8.10 Item 1)
6	-	Feed roll shaft (P/O PL 8.10 Item 1)
7	-	Bearing (P/O PL 8.10 Item 1)
8	-	E-Clip (Not Spared)
9	005N01094	Clutch
10	007N01520	Feed roll gear
11	005N01087	Feed roll drive dog
12	022N02232	Roll assembly (See Note 1)
13	007N01556	Intermediate drive gear
14	007N01522	Nudger roll gear
15	-	Harness (P/O PL 8.10 Item 1)
16	009N01594	Spring
17	-	Tray up limit switch (P/O PL 8.10 Item 1) (REP 7.2)

**NOTE:** 1. HFSI. To reset the HFSI count, go to GP 16.

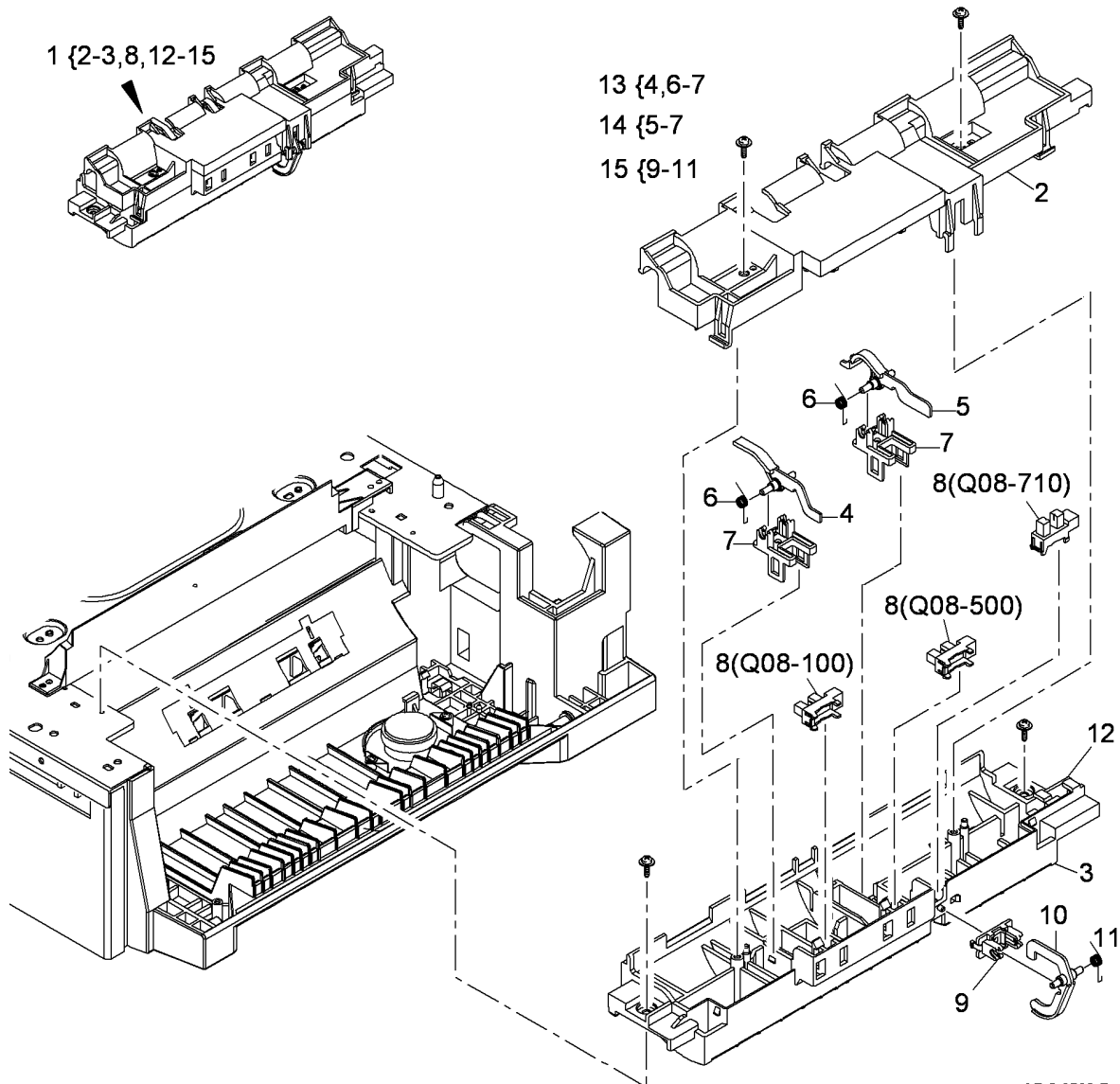
**NOTE:** 2. Tray 1, refer to REP 7.1. Trays 2, 3 and 4, refer to REP 7.7. HCF refer to REP 7.5.



AP-8-0506-A

# PL 8.15 Registration Guide Assembly

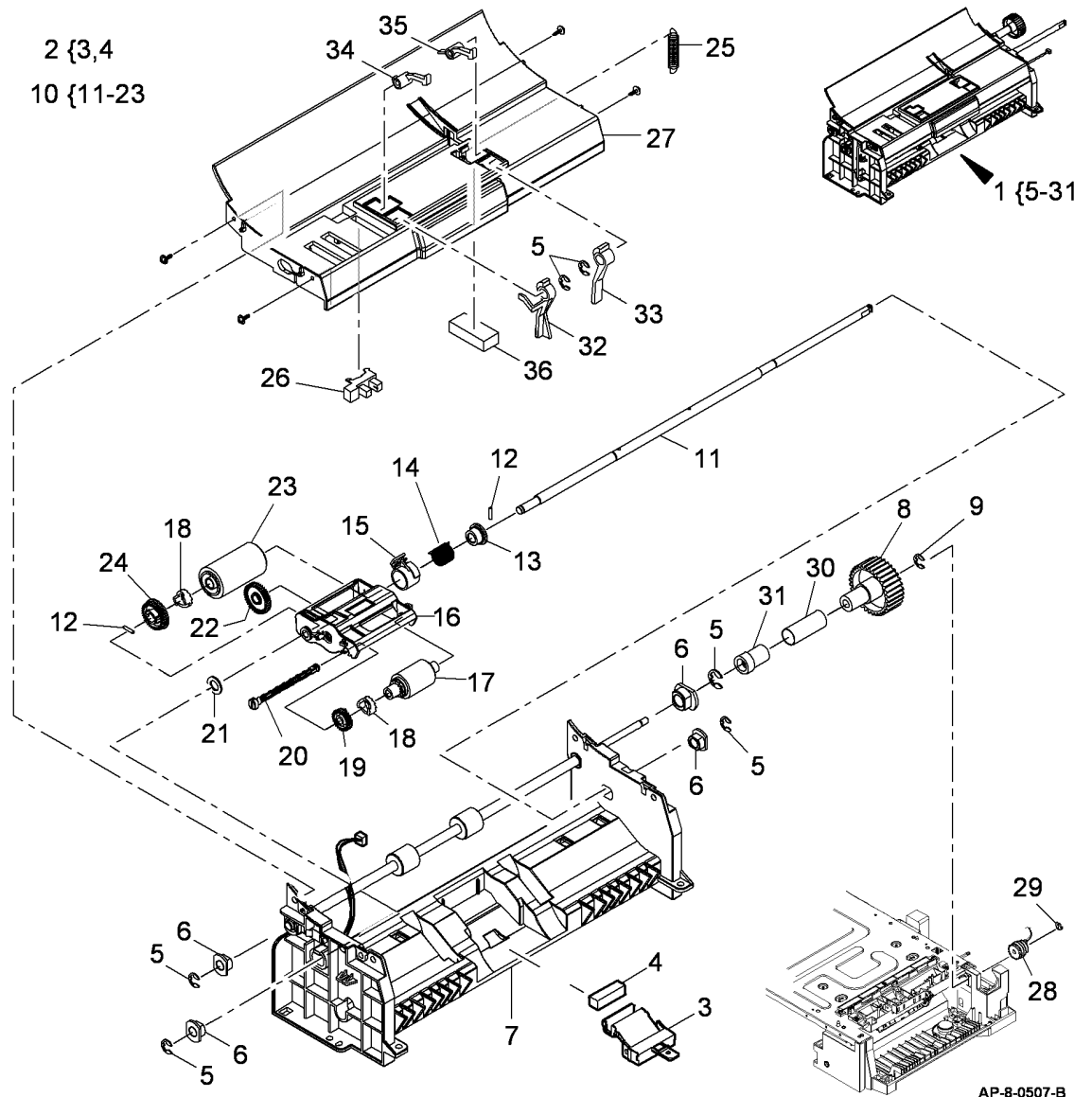
Item	Part	Description
1	-	Registration guide assembly (Not Spared)
2	015N00589	Registration roll cover (REP 8.2)
3	-	Registration guide base (Not Spared)
4	-	Feed sensor actuator (P/O PL 8.15 Item 13) (REP 8.2)
5	-	Registration sensor actuator (P/O PL 8.15 Item 14) (REP 8.2)
6	-	Actuator spring (P/O PL 8.15 Item 13) & (P/O PL 8.15 Item 14) (REP 8.2)
7	-	Registration actuator cradle (P/O PL 8.15 Item 13, PL 8.15 Item 14) (REP 8.2)
8	130N01274	Registration sensor (Q08-500), Feed sensor (Q08-100), Duplex jam 2 sensor (Q08-710) (REP 8.2)
9	-	Cradle (P/O PL 8.15 Item 15) (REP 8.2)
10	-	Duplex jam sensor actuator (P/O PL 8.15 Item 15) (REP 8.2)
11	009N01513	Spring (REP 8.2)
12	-	Registration guide housing (P/O PL 8.15 Item 1)
13	022N02278	Feed sensor actuator assembly (REP 8.2)
14	120N00501	Registration sensor actuator assembly (REP 8.2)
15	120N00502	Duplex jam 2 sensor actuator assembly (4150) (REP 8.2)
-	120N00529	Duplex jam 2 sensor actuator assembly (4250/4260) (REP 8.2)



AP-8-0509-B

# PL 8.20 Paper Transport Assembly

Item	Part	Description
1	002N02563	Paper transport assembly (4150) (REP 8.3)
-	002N02859	Paper transport assembly (4250/4260) (REP 8.3)
2	019N00911	Bypass tray retard assembly (REP 8.5)
3	-	Retard pad holder (P/O PL 8.20 Item 2)
4	019N00566	Retard pad (See Note) (REP 8.5)
5	-	E-Clip (Not Spared)
6	-	Bearing (P/O PL 8.20 Item 1)
7	-	Lower guide (P/O PL 8.20 Item 1)
8	007N01535	Gear
9	-	E-Clip (Not Spared)
10	002N02577	Bypass tray feed roll assembly (REP 8.6)
11	-	Shaft (P/O PL 8.20 Item 10)
12	029N00374	Pin
13	016N00290	Clutch bush
14	009N01602	Clutch spring
15	005N01090	Collar
16	-	Roller frame (P/O PL 8.20 Item 10)
17	022N02191	Feed roll (4150)
-	022N02373	Feed roll (4250/4260)
18	005N01089	Clutch
19	007N01533	Gear 26T
20	-	Shaft (P/O PL 8.20 Item 10)
21	-	Washer (P/O PL 8.20 Item 10)
22	007N01179	Idler gear 38T
23	022N02190	Roll assembly
24	007N01534	Idler gear 34T
25	009N01604	Spring
26	130N01274	Bypass paper empty sensor (Q07-510)
27	-	Upper guide (P/O PL 8.20 Item 1)
28	005N01085	Bypass feed clutch (CL08-800)
29	-	KL-Clip (P/O PL 8.20 Item 1)
30	009N01603	Spring clutch
31	-	Bush (P/O PL 8.20 Item 1)
32	-	Front link arm (P/O PL 8.20 Item 1)
33	-	Rear link arm (P/O PL 8.20 Item 1)
34	-	Front feed gate (P/O PL 8.20 Item 1)
35	-	Rear feed gate (P/O PL 8.20 Item 1)
36	032N00494	Grounding pad (4250/4260)

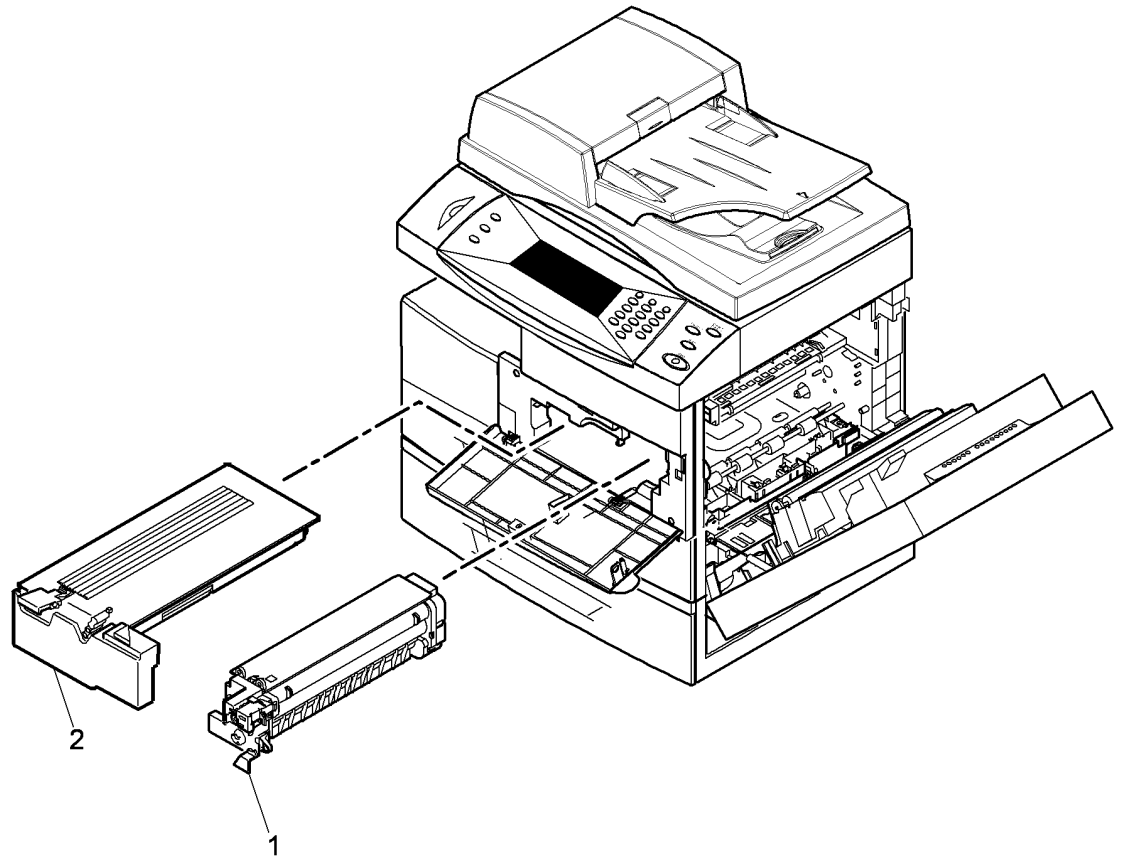


**NOTE:** HFSI. To reset the HFSI count, go to GP 16.

## PL 9.10 Toner and Xerographic modules

Item	Part	Description
1	–	Xerographic module (REF: PL 26.10) (See Note)
2	–	Toner cartridge, see below for variants
–	–	Worldwide Metered/PagePack (REF: PL 26.10)
–	–	NA/XE Sold (REF: PL 26.10)
–	–	DMO Sold (REF: PL 26.10)

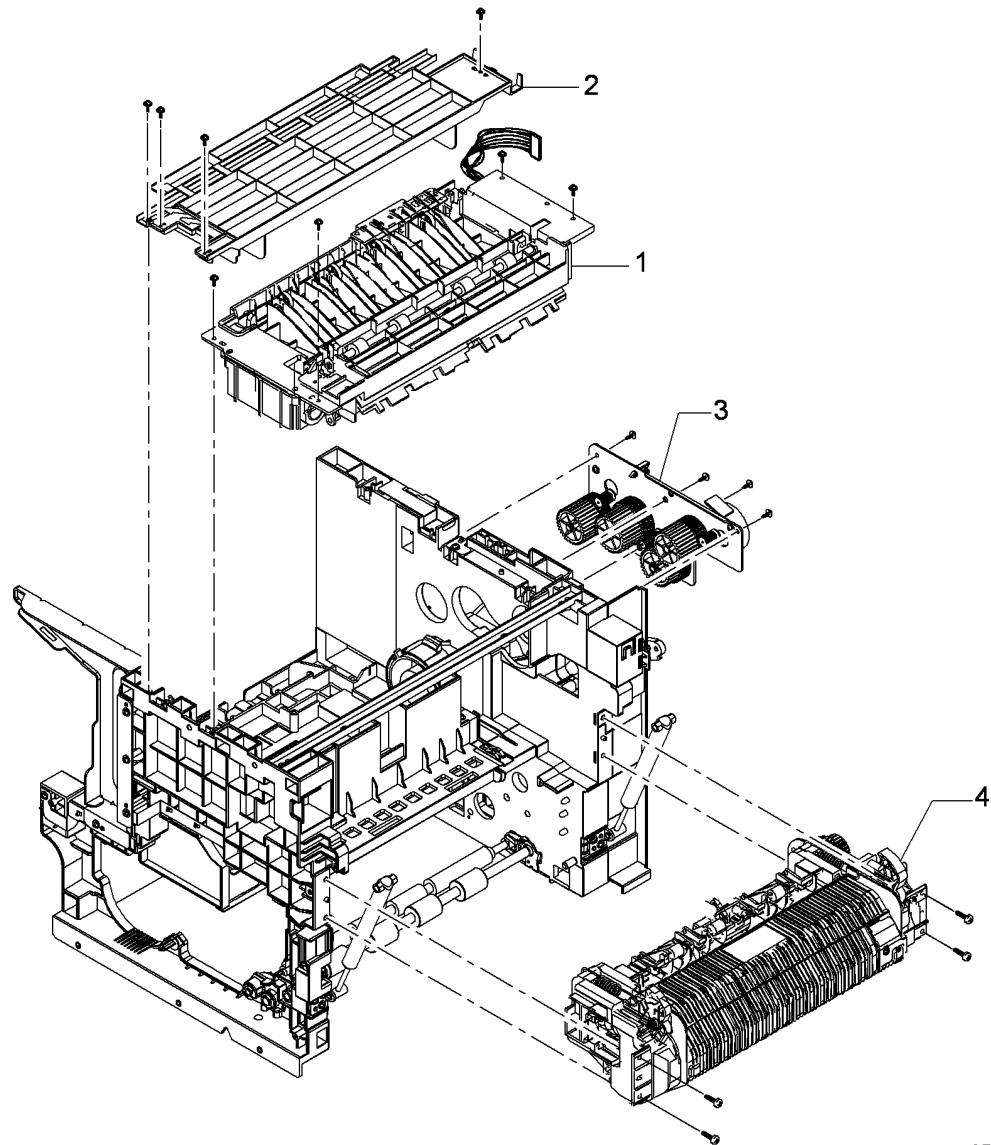
**NOTE:** HFSI. To reset the HFSI count, go to GP 16.



AP-8-0519-A

## PL 10.10 Fuser and Exit Assemblies

Item	Part	Description
1	–	Exit assembly (REF: PL 10.15 Item 1) (REP 10.2)
2	–	Exit guide assembly (Not Spared) (REP 10.2)
3	–	Exit drive assembly (REF: PL 10.20 Item 1)
4	–	Fuser assembly (REF: PL 10.25 Item 1) (4150) (REP 10.1)
–	–	Fuser assembly (REF: PL 10.28 Item 1) (4250/4260) (REP 10.1)

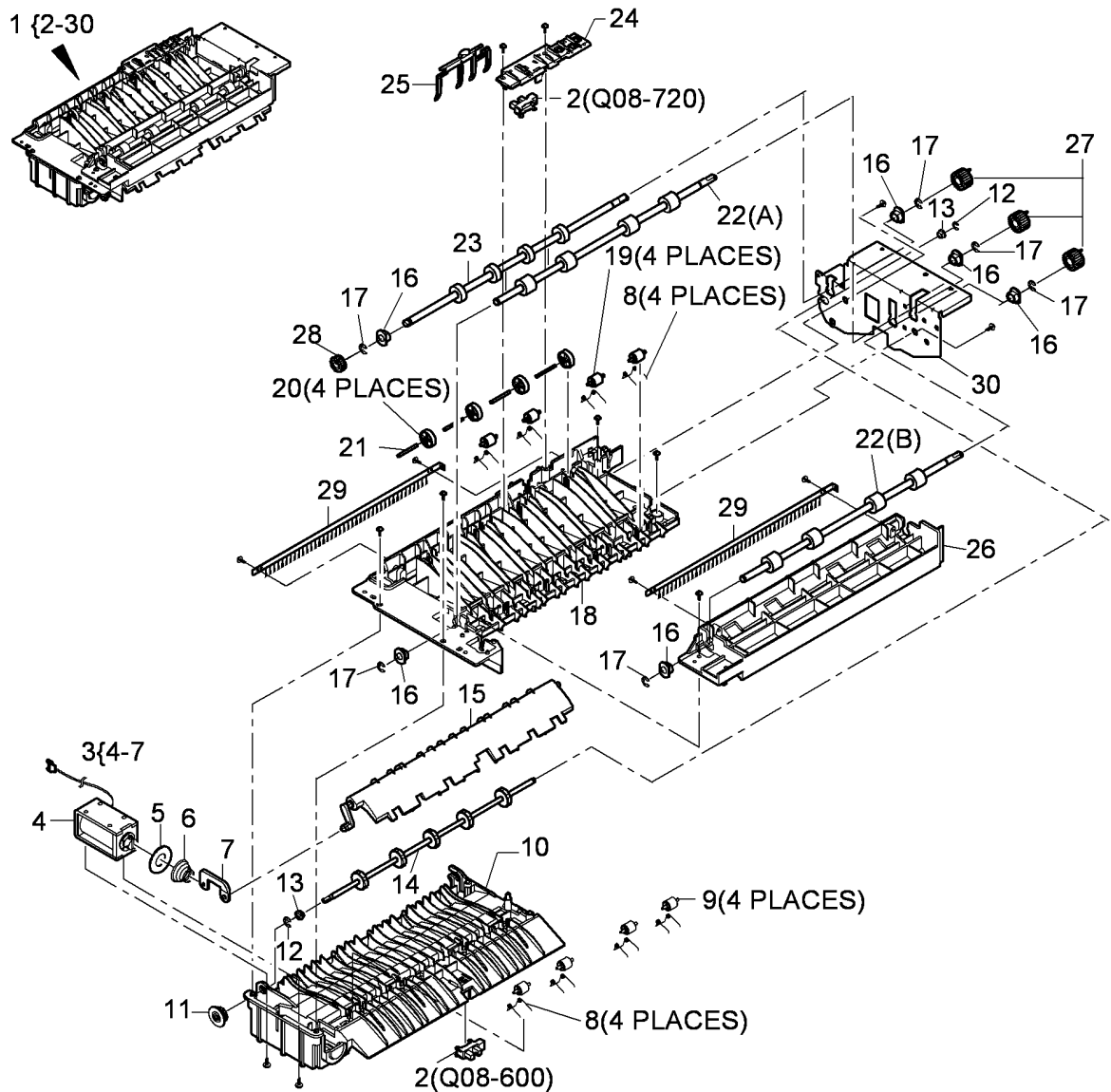


AP-8-0504-A



# PL 10.15 Exit Assembly

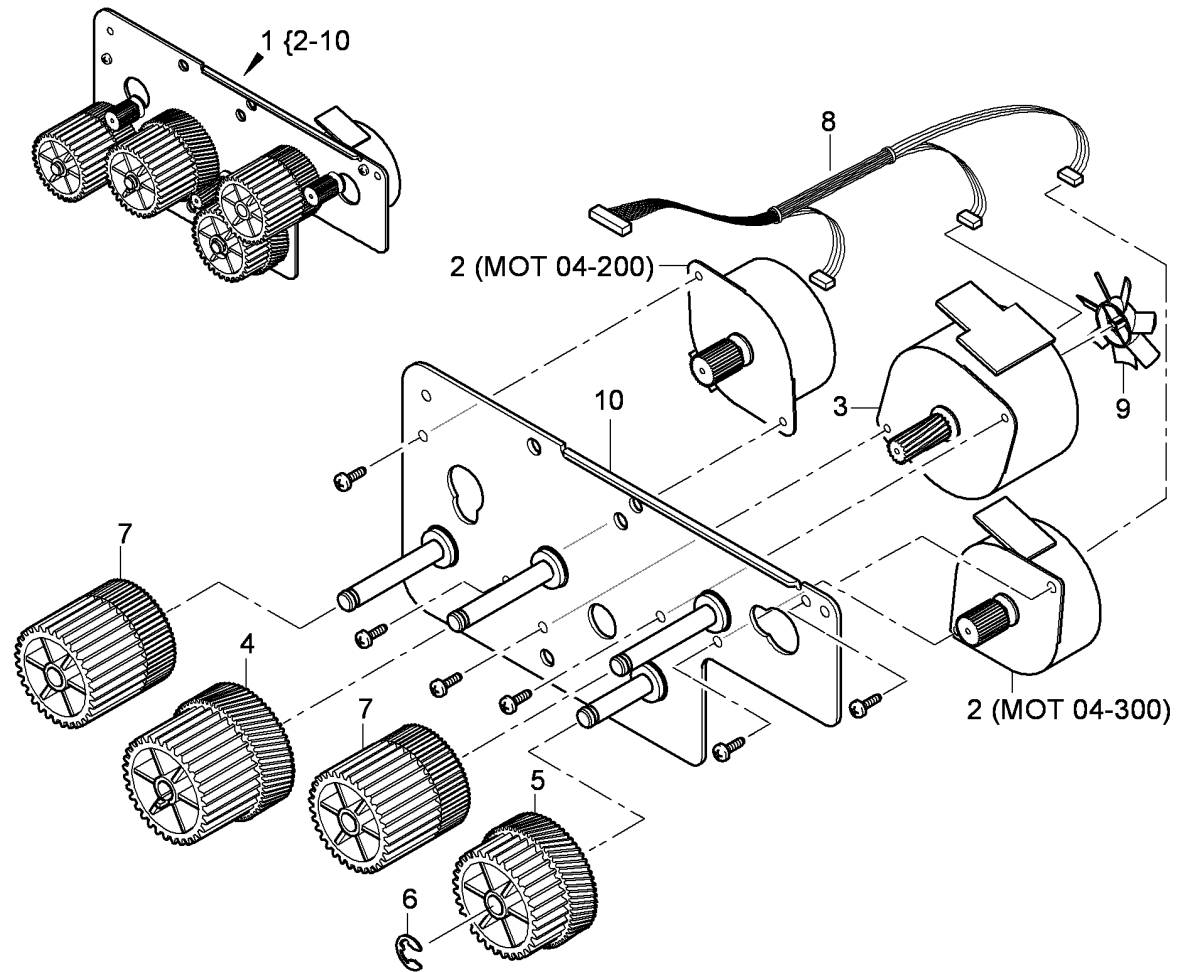
Item	Part	Description
1	002N02554	Exit assembly (4150) (REP 10.2)
-	002N02802	Exit assembly (4250/4260) (REP 10.2)
2	130N01274	Out bin full sensor (Q08-720), Exit sensor (Q08-600)
3	121N01130	Duplex gate solenoid assembly (REP 10.3)
4	-	Duplex gate solenoid (SOL 08-870) (P/O PL 10.15 Item 3)
5	095N00382	Washer
6	-	Spring (P/O PL 10.15 Item 3)
7	-	Actuator (P/O PL 10.15 Item 3)
8	-	Spring (P/O PL 10.15 Item 1)
9	-	Duplex roll idler (P/O PL 10.15 Item 1)
10	-	Lower exit guide (P/O PL 10.15 Item 1)
11	007N01555	Gear
12	-	E-Clip (Not Spared)
13	-	Bush (P/O PL 10.15 Item 1)
14	-	Lower exit roll (P/O PL 10.15 Item 1)
15	050N00499	Duplex gate (REP 10.3)
16	-	Bush (P/O PL 10.15 Item 1)
17	-	E-Clip (Not Spared)
18	-	Upper exit guide (P/O PL 10.15 Item 1)
19	-	Transport roll idler (P/O PL 10.15 Item 1)
20	022N02272	Duplex roll idler
21	-	Pin (P/O PL 10.15 Item 1)
22	-	Transport roll (22A), Duplex roll (22B) (P/O PL 10.15 Item 1)
23	-	Upper exit roller (P/O PL 10.15 Item 1)
24	-	Sensor cover (P/O PL 10.15 Item 1)
25	017N00266	Actuator
26	-	Exit guide (P/O PL 10.15 Item 1)
27	007N01559	Gear
28	007N01513	Gear
29	121N01179	Static eliminator
30	-	Exit assembly bracket (Not Spared)



AP-8-0523-A

## PL 10.20 Exit Drive

Item	Part	Description
1	002N02555	Exit drive assembly (4150) (REP 10.4)
-	002N02803	Exit drive assembly (4250/4260) (REP 10.4)
2	127N07490	Exit motor (MOT 04-200), Duplex motor (MOT 04-300) (4150)
-	127N07586	Exit motor (MOT 04-200), Duplex motor (MOT 04-300) (4250/4260)
3	127N01443	Fuser motor (MOT 10-400) (4150)
-	127N07585	Fuser motor (MOT 10-400) (4250/4260)
4	007N01510	Exit idler gear (A) (4150)
-	007N01620	Exit idler gear (A) (4250/4260)
5	007N01511	Fuser idler gear (A)
6	-	E-Clip (Not Spared)
7	007N01512	Exit idler gear (C) (4150)
-	007N01621	Exit idler gear (C) (4250/4260)
8	002N02575	Motor harness (4150)
-	152N11763	Motor harness (4250/4260)
9	-	Fan blade (P/O PL 10.20 Item 1)
10	-	Mounting plate (P/O PL 10.20 Item 1)



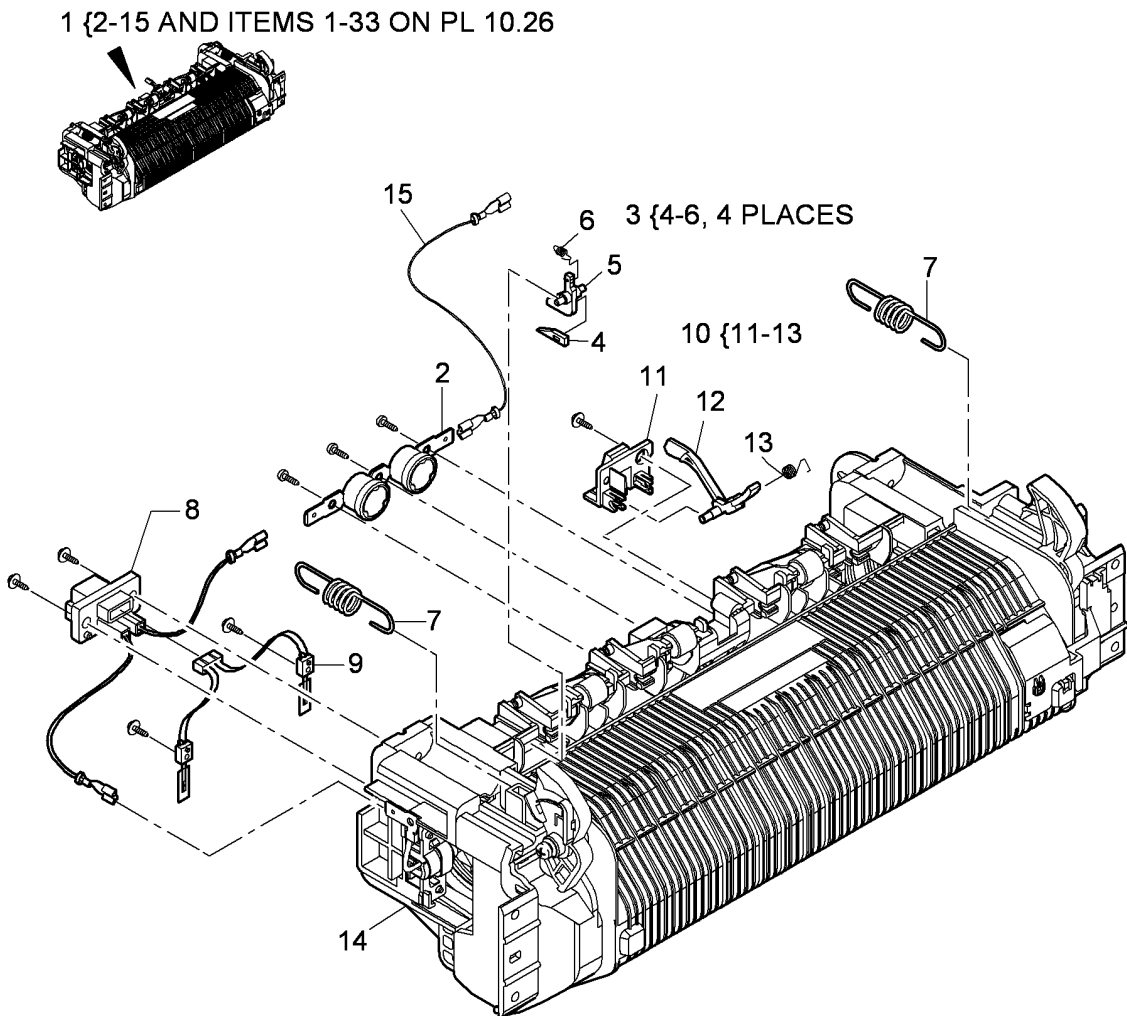
AP-8-0522-A

## PL 10.25 Fuser (1 of 2) (4150)

Item	Part	Description
1	126N00321	Fuser assembly (See Note 1) (REP 10.1)
2	130N01463	Thermostat assembly
3	031N00217	Stripper finger assembly
4	–	Stripper finger (P/O PL 10.25 Item 3)
5	–	Finger holder (P/O PL 10.25 Item 3)
6	–	Spring (P/O PL 10.25 Item 3)
7	009N01595	Spring (REP 10.5)
8	152N11708	Connector
9	130N01462	Thermistor assembly
10	120N00487	Fuser exit sensor actuator assembly (See Note 2)
11	–	Actuator cradle (P/O PL 10.25 Item 10)
12	–	Exit sensor actuator (P/O PL 10.25 Item 10)
13	–	Spring (P/O PL 10.25 Item 10)
14	–	Fusing unit (P/O PL 10.25 Item 1)
15	152N11709	AC Fuser harness

**NOTE:** 1. HFSI. To reset the HFSI count, go to GP 16.

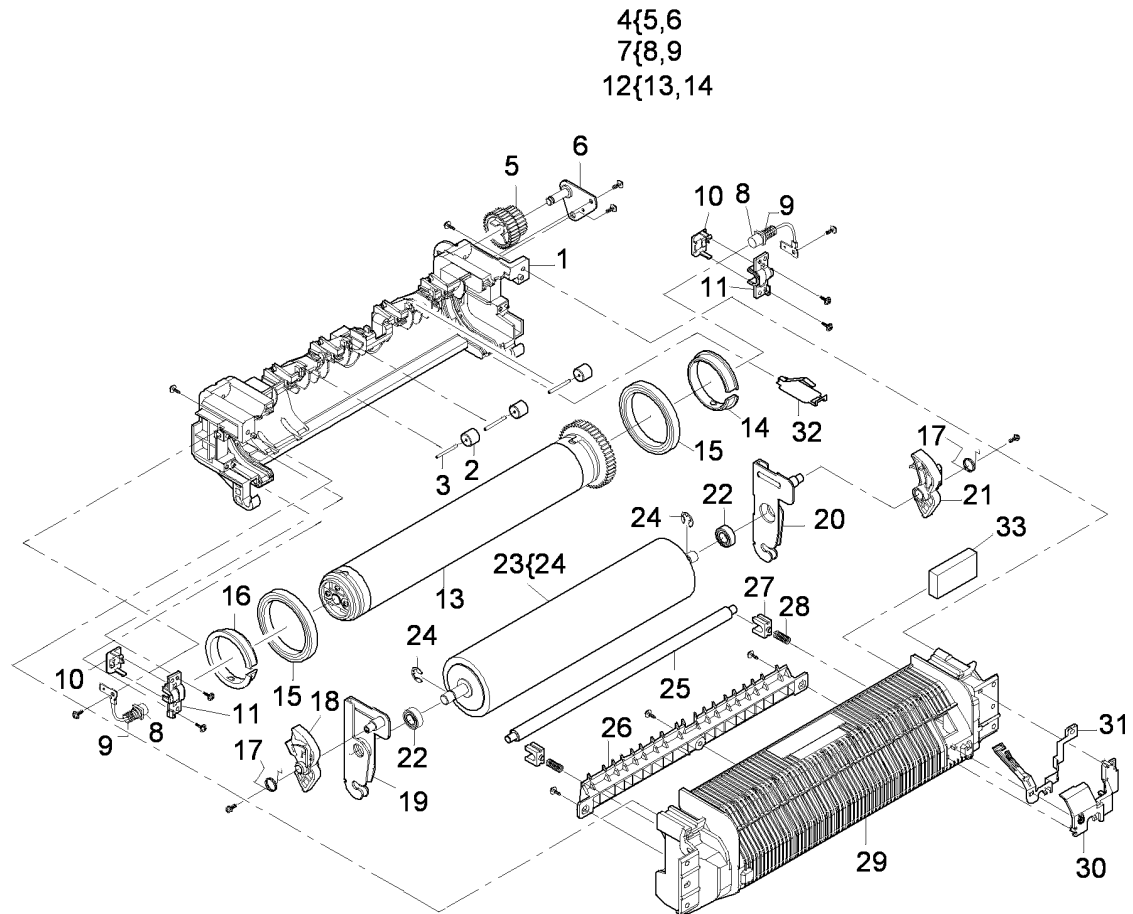
**NOTE:** 2. The fuser exit sensor is located on PL 10.15 Item 2.



AP-8-0524-A

## PL 10.26 Fuser (2 of 2) (4150)

Item	Part	Description
1	–	Fuser cover (P/O PL 10.25 Item 1)
2	–	Roll (P/O PL 10.25 Item 1)
3	–	Pin (P/O PL 10.25 Item 1)
4	030N00720	Gear and bracket assembly
5	–	Gear (P/O PL 10.26 Item 4)
6	–	Bracket (P/O PL 10.26 Item 4)
7	115N00862	Carbon brush assembly (REP 10.5)
8	–	Carbon brush (P/O PL 10.26 Item 7)
9	–	Spring (P/O PL 10.26 Item 7)
10	–	Lower brush cover (P/O PL 10.25 Item 1)
11	–	Upper brush cover (P/O PL 10.25 Item 1)
12	022N02233	Heat roller assembly (See Note 1 and Note 2) (REP 10.5)
13	–	Heat roller (P/O PL 10.26 Item 12)
14	–	Heat roller collar (P/O PL 10.26 Item 12)
15	013N13866	Bearing (REP 10.5)
16	016N00295	Heat roller collar (See Note 2)
17	–	Spring (P/O PL 10.25 Item 1)
18	–	Jam lever LH (P/O PL 10.25 Item 1)
19	–	Bracket (P/O PL 10.25 Item 1)
20	–	Bracket (P/O PL 10.25 Item 1)
21	–	Jam lever RH (P/O PL 10.25 Item 1)
22	013N13847	Bearing (REP 10.5)
23	022N02273	Pressure roller (See Note 1)
24	–	E-clip (Not Spared)
25	006N01330	Cleaning shaft (REP 10.5)
26	–	Input guide (P/O PL 10.25 Item 1)
27	–	Pressure bearing (P/O PL 10.25 Item 1)
28	–	Spring (P/O PL 10.25 Item 1)
29	–	Fuser cover (P/O PL 10.25 Item 1)
30	–	Ground strip cover (P/O PL 10.25 Item 1)
31	–	Ground strip (P/O PL 10.25 Item 1)
32	–	Ground strip (P/O PL 10.25 Item 1)
33	–	Cleaning felt (P/O PL 10.25 Item 1)



**NOTE: 1.** HFSI. To reset the HFSI count, go to GP 16.

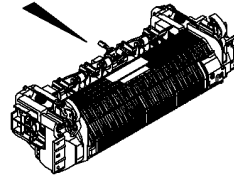
**NOTE: 2.** If a new heat roller assembly is installed, also install a new heat roller collar, PL 10.26 Item 16.

AP-8-0537-A

## PL 10.28 Fuser (1 of 2) (4250/4260)

Item	Part	Description
1	002N02806	Fuser assembly (220V) (XE) (See Note 1) (REP 10.1)
-	002N02805	Fuser assembly (110V) (NASG/XCL) (See Note 1) (REP 10.1)
2	130N01463	Thermostat assembly
3	031N00217	Stripper finger assembly
4	-	Stripper finger (P/O PL 10.28 Item 3)
5	-	Finger holder (P/O PL 10.28 Item 3)
6	-	Spring (P/O PL 10.28 Item 3)
7	009N01642	Spring (REP 10.7)
8	152N11766	Connector
9	130N01462	Thermistor assembly
10	120N00487	Fuser exit sensor assembly (See Note 2)
11	-	Actuator cradle (P/O PL 10.28 Item 10)
12	-	Exit sensor actuator (P/O PL 10.28 Item 10)
13	-	Spring (P/O PL 10.28 Item 10)
14	-	Fusing unit (P/O PL 10.28 Item 1)
15	-	AC Fuser harness (Not Spared)
16	140N63354	CRUM
17	-	Terminal cover (P/O PL 10.28 Item 1)
18	-	Thermistor cover (P/O PL 10.28 Item 1)
19	130N01561	NC Thermistor
20	-	Spring bracket (P/O PL 10.28 Item 1)
21	-	Fuser CRUM assembly (P/O PL 10.28 Item 1)

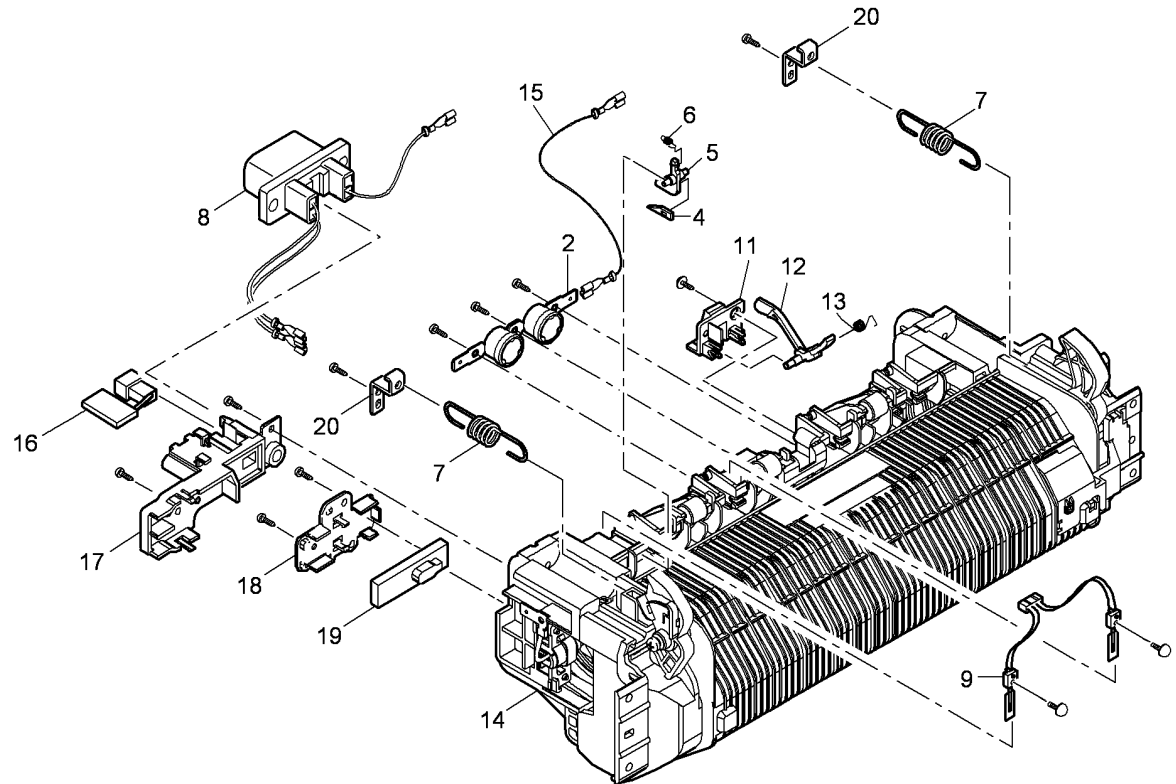
1 {2,3,7-9,14-20 AND ITEMS 1-27 ON PL 10.30



3 {4-6, 4 PLACES

10 {11-13

21 {16,17



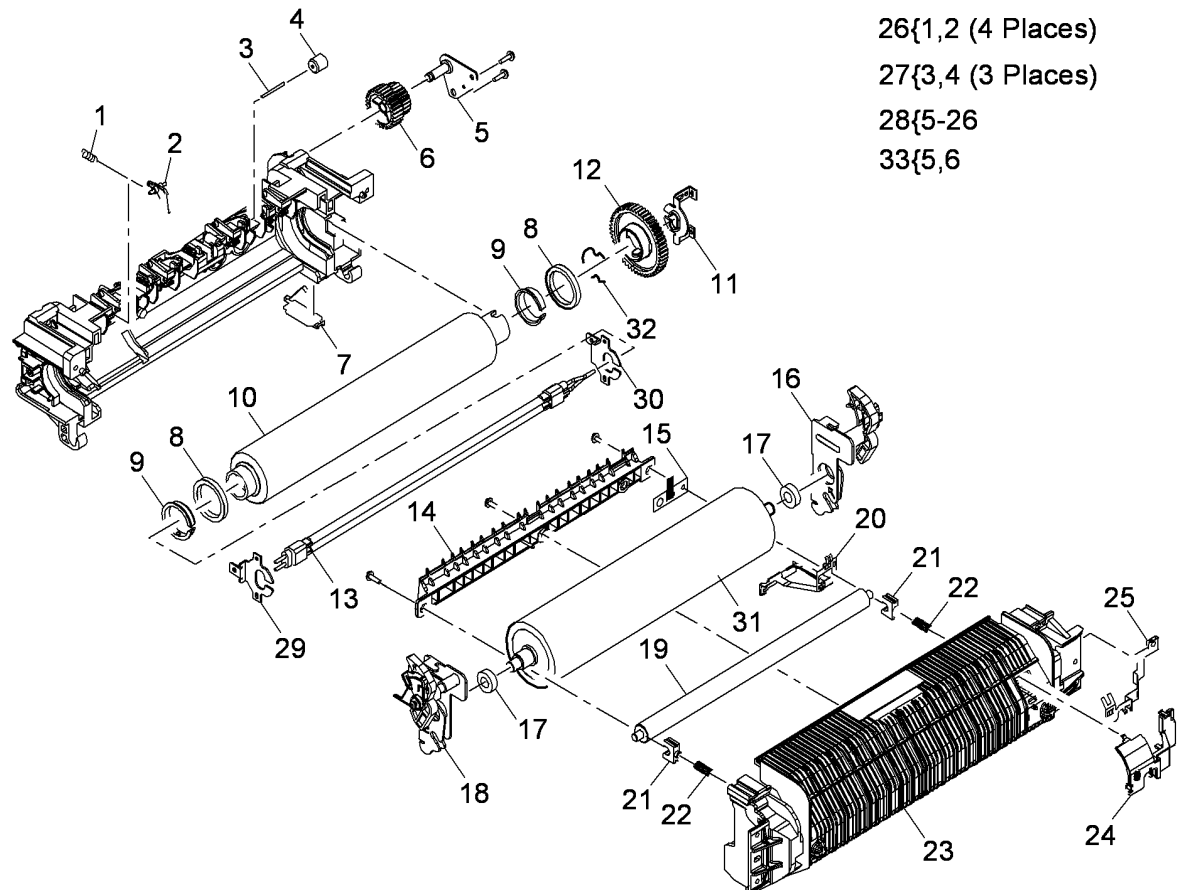
**NOTE:** 1. HFSI. To reset the HFSI count, go to GP 16.

**NOTE:** 2. The fuser exit sensor is located on PL 10.15 Item 2.

AP-8-0543-B

## PL 10.30 Fuser (2 of 2) (4250/4260)

Item	Part	Description
1	-	Stripper finger spring (P/O PL 10.28 Item 1)
2	-	Stripper finger (P/O PL 10.28 Item 1)
3	-	Pin (P/O PL 10.28 Item 1)
4	-	Roll (P/O PL 10.28 Item 1)
5	-	Bracket (P/O PL 10.25 Item 1)
6	-	Gear (P/O PL 10.28 Item 1)
7	-	Ground strip (P/O PL 10.28 Item 1)
8	013N13885	Bearing (REP 10.7)
9	-	Heat roller collar (P/O PL 10.28 Item 1) (REP 10.7)
10	022N02372	Heat roller (See Note) (REP 10.7)
11	-	Heat roller bracket (P/O PL 10.28 Item 1)
12	-	Heat roller gear (P/O PL 10.28 Item 1)
13	122N00282	Heat lamp (220V) (XE) (REP 10.7)
-	122N00283	Heat lamp (110V) (USSG/XCL) (REP 10.7)
14	-	Input guide (P/O PL 10.28 Item 1)
15	-	Ground brush (P/O PL 10.28 Item 1)
16	-	Jam lever assembly (Right) (P/O PL 10.28 Item 1)
17	013N13847	Bearing (REP 10.7)
18	-	Jam lever assembly (Left) (P/O PL 10.28 Item 1)
19	006N01329	Cleaning shaft
20	-	Ground strip (P/O PL 10.28 Item 1)
21	-	Pressure bearing (P/O PL 10.28 Item 1)
22	-	Spring (P/O PL 10.28 Item 1)
23	-	Fuser cover (P/O PL 10.28 Item 1)
24	-	Ground strip cover (P/O PL 10.28 Item 1)
25	-	Ground strip (P/O PL 10.28 Item 1)
26	-	Stripper finger assembly (P/O PL 10.28 Item 1)
27	-	Roll assembly (P/O PL 10.28 Item 1)
28	-	Fuser assembly (P/O PL 10.28 Item 1)
29	-	Front heat lamp bracket (P/O PL 10.28 Item 1)
30	-	Rear heat lamp bracket (P/O PL 10.28 Item 1)
31	022N02374	Pressure roll (See Note)
32	-	Wire clip (P/O PL 10.28 Item 1)
33	030N00720	Gear and bracket assembly

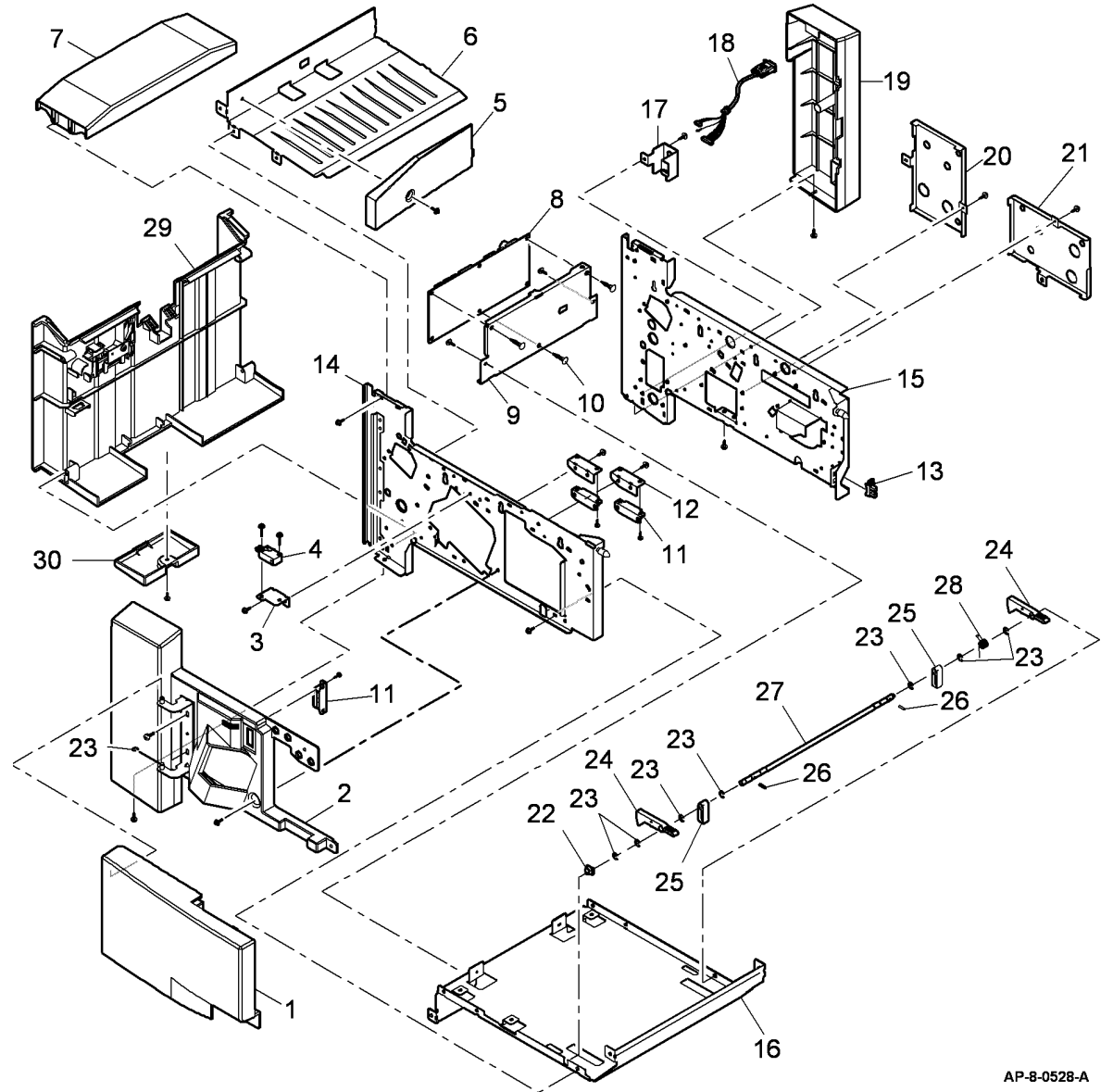


AP-8-0544-A

**NOTE:** HFSI. To reset the HFSI count, go to GP 16.

## PL 12.10 Finisher Frame

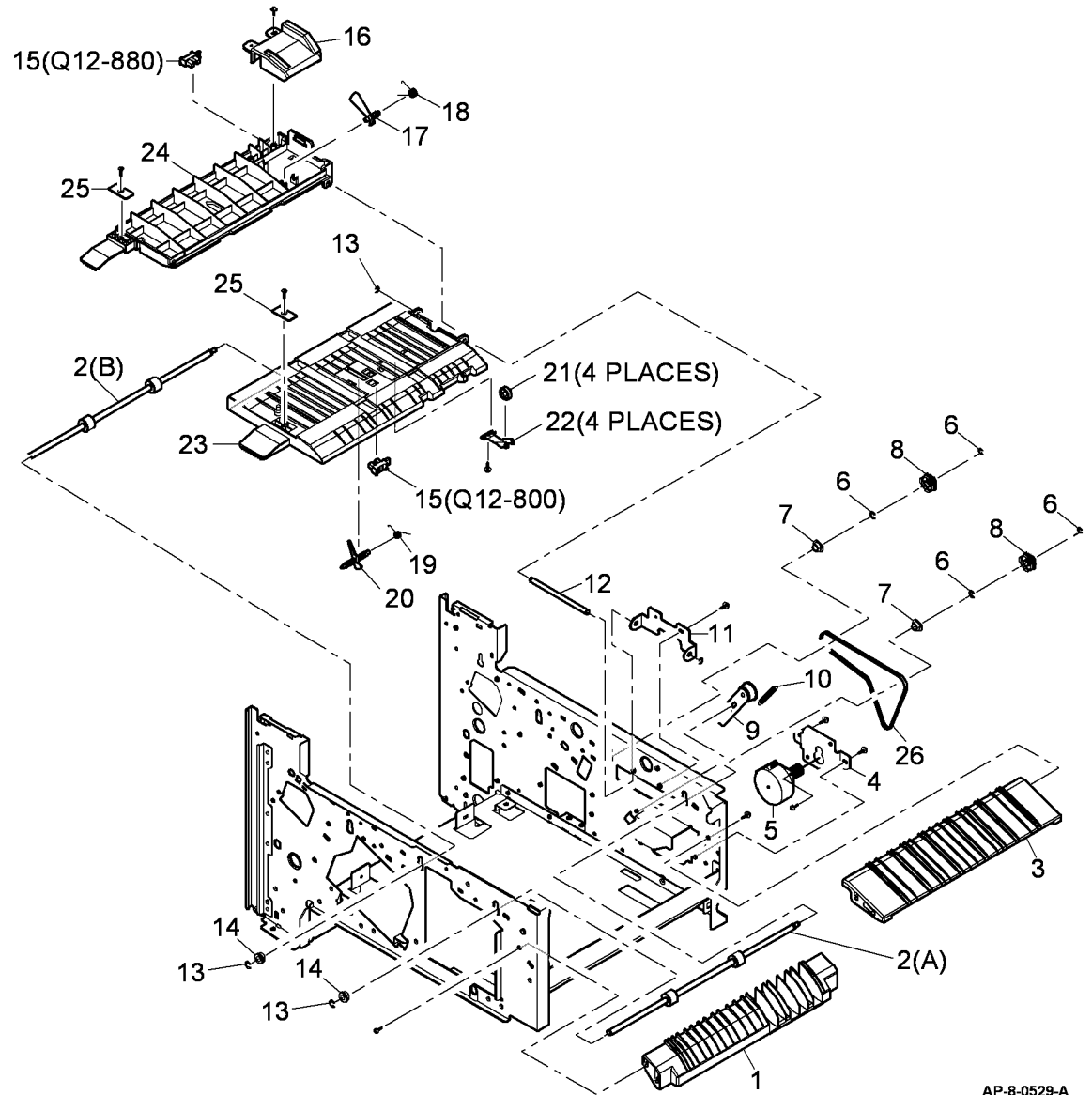
Item	Part	Description
1	101N01389	Door
2	002N02626	Front cover
3	-	Interlock switch bracket (P/O PL 12.50 Item 1)
4	109N00655	Finisher door switch (S12-870)
5	101N01406	Top infill cover
6	-	Exit cover (P/O PL 12.50 Item 1)
7	002N02572	Top cover (REP 12.4)
8	140N63143	Finisher PWB (REP 12.2)
9	-	PWB bracket (P/O PL 12.50 Item 1)
10	-	Stand off (P/O PL 12.50 Item 1)
11	121N01131	Magnet
12	-	Magnet bracket (P/O PL 12.50 Item 1)
13	130N01274	IOT Set sensor (Q12-875)
14	-	Front side plate (P/O PL 12.50 Item 1)
15	-	Rear side plate (P/O PL 12.50 Item 1)
16	-	Base plate (P/O PL 12.50 Item 1)
17	-	Interface harness bracket (P/O PL 12.50 Item 1)
18	113N01304	Interface harness
19	002N02573	Rear cover (REP 12.4)
20	-	Exit belt cover (P/O PL 12.50 Item 1)
21	-	Entry belt cover (P/O PL 12.50 Item 1)
22	-	Bearing (P/O PL 12.50 Item 1)
23	-	E-Clip (Not Spared)
24	-	Hook (P/O PL 12.50 Item 1)
25	-	Guide (P/O PL 12.50 Item 1)
26	-	Pin (P/O PL 12.50 Item 1)
27	-	Shaft (P/O PL 12.50 Item 1)
28	-	Spring (P/O PL 12.50 Item 1)
29	-	Left cover assembly (P/O PL 12.50 Item 1)
30	-	PWB Access cover (P/O PL 12.50 Item 1)



AP-8-0528-A

# PL 12.15 Duplex and Entry Components

Item	Part	Description
1	-	Lower entry guide (P/O PL 12.50 Item 1)
2	022N02383	Entry roll (2A), Transport roll (2B) (P/O PL 12.50 Item 1) (4250/4260)
3	-	Upper entrance guide (P/O PL 12.50 Item 1)
4	-	Entry motor bracket (P/O PL 12.50 Item 1)
5	127N07484	Entrance motor (MOT12-100)
6	-	E-Clip (Not Spared)
7	-	Bearing (P/O PL 12.50 Item 1)
8	020N00821	Pulley
9	-	Belt tensioner (P/O PL 12.50 Item 1)
10	-	Spring (P/O PL 12.50 Item 1)
11	-	Hinge bracket (P/O PL 12.50 Item 1)
12	-	Hinge shaft (P/O PL 12.50 Item 1)
13	-	E-Clip (Not Spared)
14	-	Bearing (P/O PL 12.50 Item 1)
15	130N01274	Duplex paper sensor (Q12-880), Finisher entrance sensor (Q12-800)
16	-	Actuator cover (P/O PL 12.50 Item 1)
17	-	Duplex actuator (P/O PL 12.50 Item 1)
18	-	Spring (Duplex) (P/O PL 12.50 Item 1)
19	-	Spring (Entry) (P/O PL 12.50 Item 1)
20	-	Entry actuator (P/O PL 12.50 Item 1)
21	-	Idler (P/O PL 12.50 Item 1)
22	-	Leaf spring (P/O PL 12.50 Item 1)
23	-	Document entry guide (P/O PL 12.50 Item 1)
24	-	Duplex guide (P/O PL 12.50 Item 1)
25	-	Magnet catch plate (P/O PL 12.50 Item 1)
26	023N01155	Drive belt

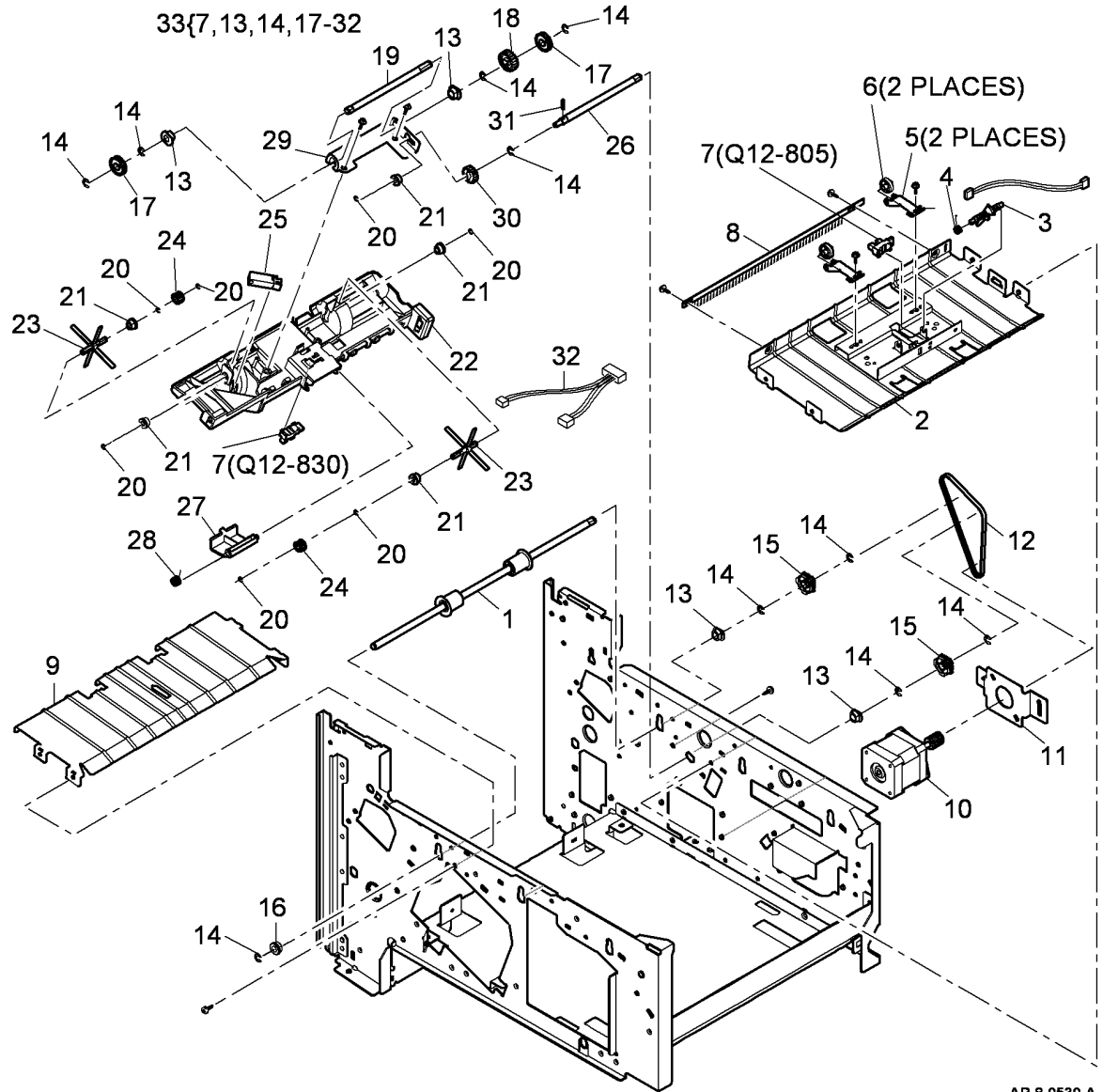


AP-8-0529-A



# PL 12.20 Compiler and Exit Components

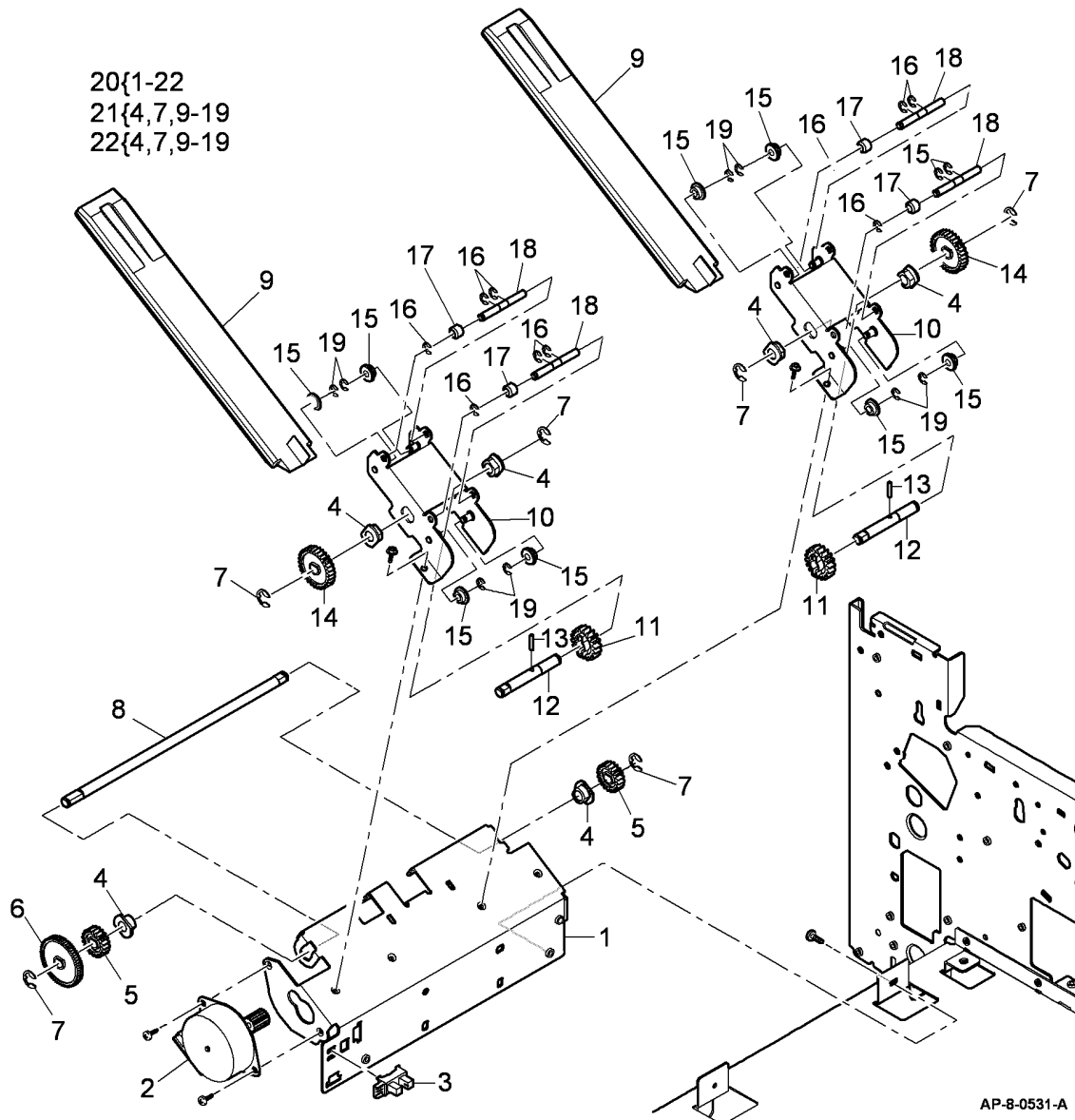
Item	Part	Description
1	022N02228	Exit roll (REP 12.3)
2	-	Upper exit guide (P/O PL 12.50 Item 1)
3	-	Actuator (P/O PL 12.50 Item 1)
4	-	Spring (P/O PL 12.50 Item 1)
5	-	Leaf spring (P/O PL 12.50 Item 1)
6	-	Idler (P/O PL 12.50 Item 1)
7	130N01274	Exit sensor (Q12-805) (REP 12.3), Ejector home sensor (Q12-830) (P/O PL 12.20 Item 33)
8	115N00860	Static eliminator
9	-	Lower exit guide (P/O PL 12.50 Item 1)
10	127N07483	Exit motor (MOT12-110)
11	-	Motor bracket (P/O PL 12.50 Item 1)
12	023N01154	Drive belt (REP 12.3)
13	-	Bearing (P/O PL 12.20 Item 33)
14	-	E-Clip (Not Spared)
15	-	Pulley (Not Spared)
16	-	Bearing (Not Spared)
17	-	Gear 34T (P/O PL 12.20 Item 33)
18	-	Gear 22T (P/O PL 12.20 Item 33)
19	-	Shaft (P/O PL 12.20 Item 33)
20	-	E-Clip (Not Spared)
21	-	Bearing (P/O PL 12.20 Item 33)
22	-	Compiler guide (P/O PL 12.20 Item 33)
23	-	Paddle (P/O PL 12.20 Item 33)
24	-	Paddle gear 18T (P/O PL 12.20 Item 33)
25	-	Paper detector sensor (Q12-865) (P/O PL 12.20 Item 33) (REP 12.3)
26	-	Shaft (P/O PL 12.20 Item 33)
27	-	Actuator (P/O PL 12.20 Item 33)
28	-	Spring (P/O PL 12.20 Item 33)
29	-	Paddle bracket (P/O PL 12.20 Item 33)
30	-	Gear 18T (P/O PL 12.20 Item 33)
31	-	Pin (P/O PL 12.20 Item 33)
32	-	Harness (P/O PL 12.20 Item 33)
33	022N02276	Compiler assembly (REP 12.5)



AP-8-0530-A

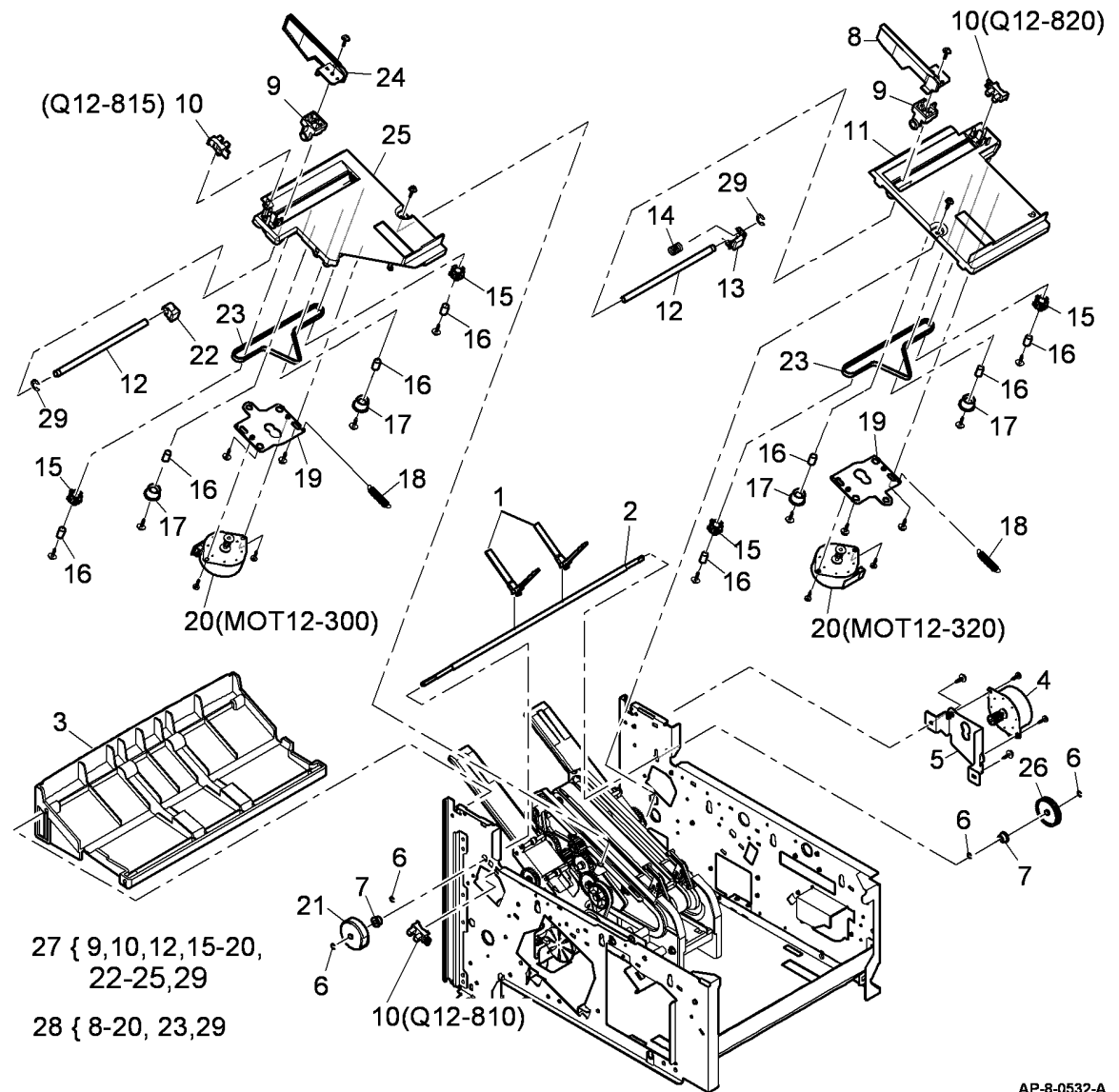
# PL 12.25 Support Finger Assembly

Item	Part	Description
1	-	Bracket (P/O PL 12.25 Item 20)
2	127N07492	Support finger motor (MOT12-400) (REP 12.7)
3	130N01274	Ejector encoder sensor (Q12-835)
4	-	Bearing (P/O PL 12.25 Item 21) & (P/O PL 12.25 Item 22)
5	007N01492	Gear 20T
6	007N01493	Gear 60T
7	-	E-Clip (Not Spared)
8	-	Transport shaft (P/O PL 12.50 Item 1)
9	-	Support finger (P/O PL 12.25 Item 21) & (P/O PL 12.25 Item 22) (REP 12.6)
10	-	Bracket (P/O PL 12.25 Item 21) & (P/O PL 12.25 Item 22)
11	-	Pinion gear 18T (P/O PL 12.25 Item 21, PL 12.25 Item 22)
12	-	Pinion shaft (P/O PL 12.25 Item 21) & (P/O PL 12.25 Item 22)
13	-	Pin (P/O PL 12.25 Item 21) & (P/O PL 12.25 Item 22)
14	-	Gear 30T (P/O PL 12.25 Item 21, PL 12.25 Item 22)
15	-	Bearing (P/O PL 12.25 Item 21) & (P/O PL 12.25 Item 22)
16	-	E-Clip (Not Spared)
17	-	Roller (P/O PL 12.25 Item 21) & (P/O PL 12.25 Item 22)
18	-	Shaft (P/O PL 12.25 Item 21) & (P/O PL 12.25 Item 22)
19	-	E-Clip (Not Spared)
20	-	Support finger assembly (P/O PL 12.50 Item 1) (REP 12.7)
21	019N00922	Front support finger assembly (REP 12.6)
22	019N00923	Rear support finger assembly (REP 12.6)



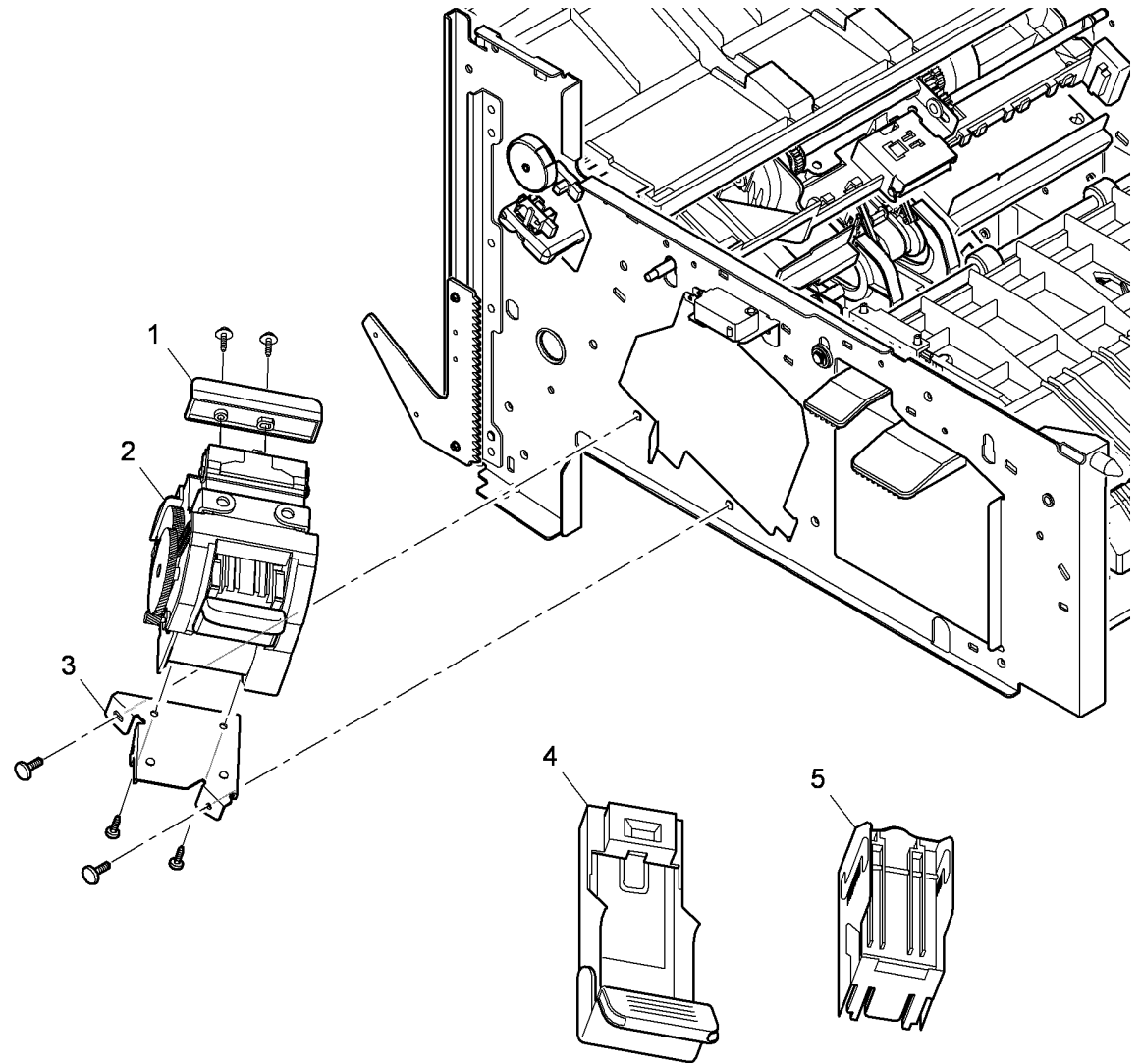
# PL 12.30 Jogger and Paddle Assembly

Item	Part	Description
1	033N00239	Compiler exit paddles
2	-	Paddle shaft (P/O PL 12.50 Item 1)
3	-	Upper compiler cover (P/O PL 12.50 Item 1)
4	127N07492	Paddle motor (MOT 12-200)
5	-	Paddle motor bracket (P/O PL 12.50 Item 1)
6	-	E-Clip (Not Spared)
7	-	Bearing (P/O PL 12.50 Item 1)
8	-	Rear jogger arm (P/O PL 12.30 Item 28)
9	-	Jogger bush (P/O PL 12.30 Item 27) & (PL 12.30 Item 28)
10	130N01274	Paddle home sensor (Q2-810), Front jogger home sensor (Q12-815), Rear jogger home sensor (Q12-820)
11	-	Compiler rear frame (P/O PL 12.50 Item 1)
12	-	Jogger shaft (P/O PL 12.30 Item 27) & (PL 12.30 Item 28)
13	-	Rear belt holder (P/O PL 12.30 Item 28)
14	-	Jogger spring (P/O PL 12.30 Item 28)
15	-	Timing pulley (P/O PL 12.30 Item 27) & (PL 12.30 Item 28)
16	-	Pivot tube (P/O PL 12.30 Item 27) & (PL 12.30 Item 28)
17	-	Idler (P/O PL 12.30 Item 27) & (PL 12.30 Item 28)
18	-	Spring (P/O PL 12.30 Item 27) & (PL 12.30 Item 28)
19	-	Jogger motor bracket (P/O PL 12.30 Item 27) & (PL 12.30 Item 28)
20	-	Front jogger motor (MOT12-300) (P/O PL 12.30 Item 27), Rear jogger motor (MOT12-320) (P/O PL 12.30 Item 28)
21	-	Paddle home actuator (P/O PL 12.50 Item 1)
22	-	Belt holder front (P/O PL 12.30 Item 27)
23	023N01153	Jogger belt (REP 12.8)
24	-	Front jogger arm (P/O PL 12.30 Item 27)
25	-	Compiler front frame (P/O PL 12.30 Item 27)
26	007N01497	Paddle gear 56T
27	038N00494	Front jogger assembly (4150) (REP 12.5)
-	019N00973	Front jogger assembly (4250/4260) (REP 12.5)
28	038N00493	Rear jogger assembly (4150) (REP 12.5)
-	019N00972	Rear jogger assembly (4250/4260) (REP 12.5)
29	-	E-Clip (Not Spared)



## PL 12.35 Stapler Assembly

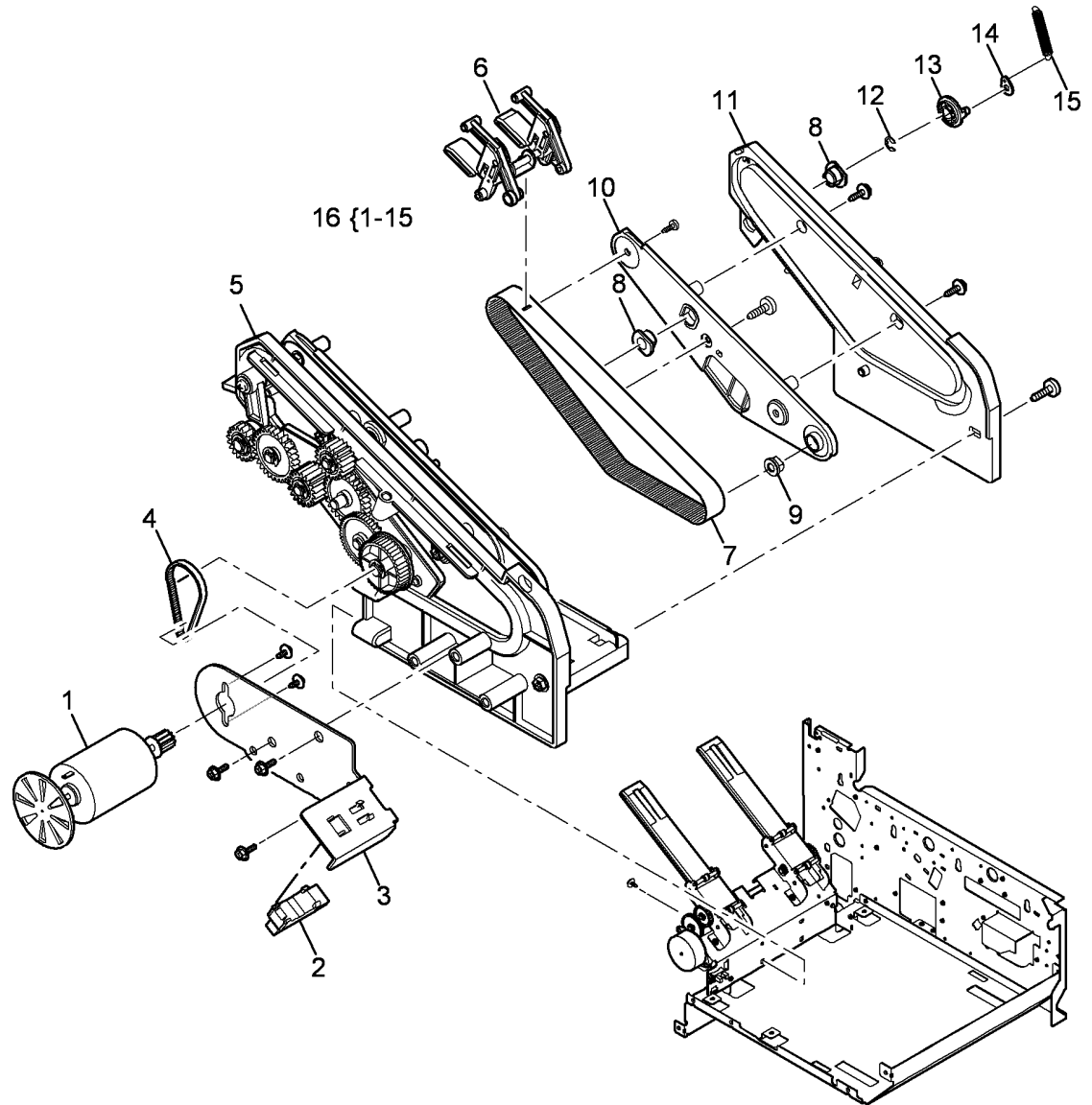
Item	Part	Description
1	–	Stapler guide (P/O PL 12.50 Item 1)
2	029N00373	Stapler assembly
3	–	Stapler bracket (P/O PL 12.50 Item 1)
4	029N00371	Stapler Cartridge
5	–	Finisher staple refill (P/O PL 26.10 Item 6)



AP-8-0533-A

## PL 12.40 Ejector Assembly

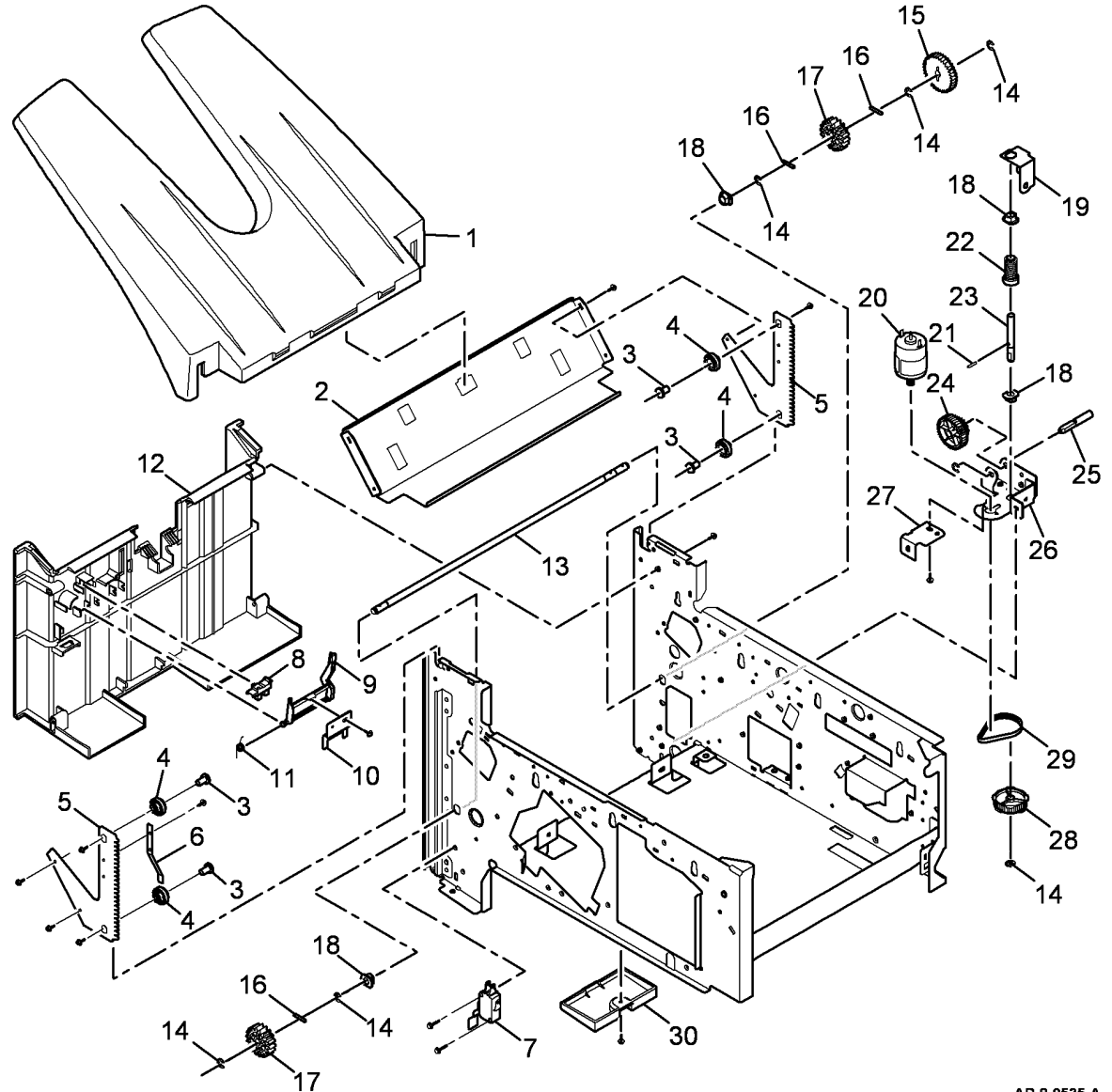
Item	Part	Description
1	127N07493	Ejector motor (MOT 12-500) (REP 12.7)
2	130N01274	Support finger home sensor (Q 12-825)
3	–	Motor bracket (P/O PL 12.40 Item 16)
4	–	Drive belt (P/O PL 12.40 Item 16)
5	–	Eject unit (P/O PL 12.40 Item 16)
6	–	Document grip assembly (P/O PL 12.40 Item 16)
7	–	Ejector belt (P/O PL 12.40 Item 16)
8	–	Bearing (P/O PL 12.40 Item 16)
9	–	Bearing (P/O PL 12.40 Item 16)
10	–	Ejector belt rear cover (P/O PL 12.40 Item 16)
11	–	Ejector rear frame (P/O PL 12.40 Item 16)
12	–	E-Clip (Not Spared)
13	–	Cam (P/O PL 12.40 Item 16)
14	–	Link (P/O PL 12.40 Item 16)
15	–	Spring (P/O PL 12.40 Item 16)
16	019N00924	Ejector assembly (REP 12.7)



AP-8-0534-A

## PL 12.45 Stacker Assembly

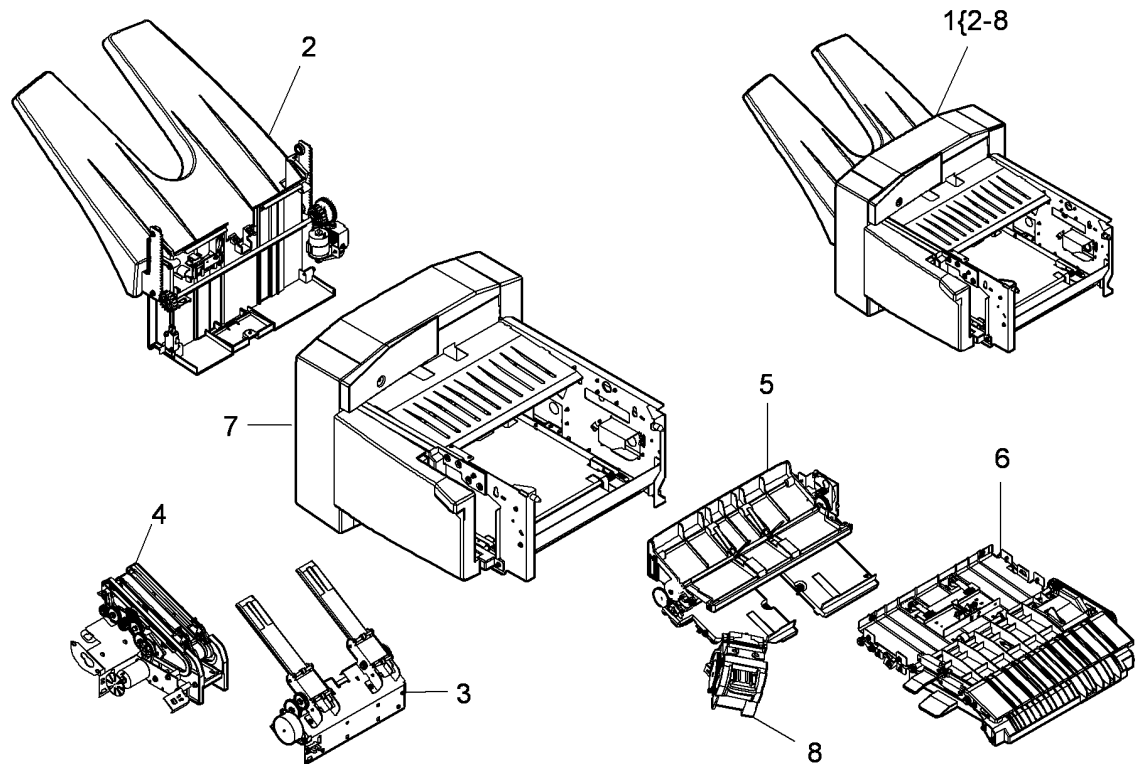
Item	Part	Description
1	050N00489	Stacker tray
2	–	Tray support (P/O PL 12.50 Item 1)
3	–	Stud (P/O PL 12.50 Item 1)
4	–	Roller (P/O PL 12.50 Item 1)
5	–	Rack bracket (P/O PL 12.50 Item 1)
6	–	Grounding strip (P/O PL 12.50 Item 1)
7	050N00490	Stacker bottom switch (S12-845)
8	130N01274	Stacker top sensor (Q12-840)
9	–	Actuator (P/O PL 12.50 Item 1)
10	–	Retainer (P/O PL 12.50 Item 1)
11	–	spring (P/O PL 12.50 Item 1)
12	–	Left cover (P/O PL 12.50 Item 1)
13	–	Drive shaft (P/O PL 12.50 Item 1)
14	–	E-Clip (Not Spared)
15	007N01491	Gear 35T (REP 12.9)
16	–	Pin (2x14) (P/O PL 12.50 Item 1)
17	007N01490	Pinion gear (REP 12.9)
18	–	Bearing (P/O PL 12.50 Item 1)
19	–	Worm gear bracket (P/O PL 12.50 Item 1)
20	127N07494	Stacker tray motor (MOT 12-600) (REP 12.9)
21	–	Pin (2x10) (P/O PL 12.50 Item 1)
22	050N00491	Worm gear (REP 12.9)
23	–	Shaft (P/O PL 12.50 Item 1)
24	020N00828	Worm wheel (REP 12.9)
25	–	Worm shaft (P/O PL 12.50 Item 1)
26	–	Motor bracket (P/O PL 12.50 Item 1)
27	–	Motor support bracket (P/O PL 12.50 Item 1)
28	–	Pulley (P/O PL 12.50 Item 1)
29	023N01156	Belt (REP 12.9)
30	–	PWB access cover (P/O PL 12.50 Item 1)



AP-8-0535-A

## PL 12.50 Finisher Assembly

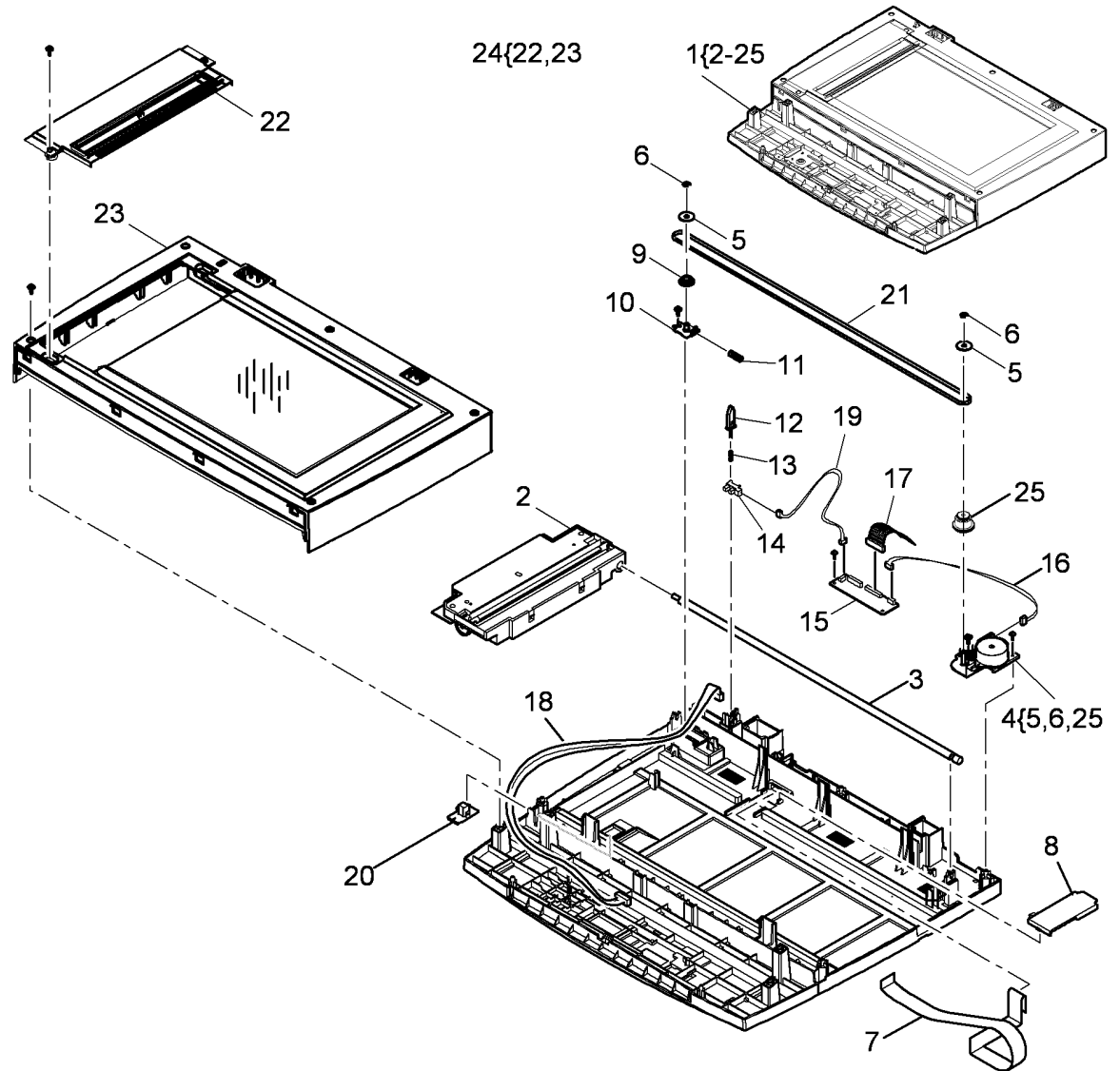
Item	Part	Description
1	050N00504	Finisher assembly (complete) (4150)
-	101N01425	Finisher assembly (complete) (4250/4260)
2	-	Stacker assembly (REF: PL 12.45)
3	-	Support finger assembly (REF: PL 12.25)
4	-	Ejector assembly (REF: PL 12.40)
5	-	Jogger and Paddle assembly (REF: PL 12.30)
6	-	Duplex and Entry components (REF: PL 12.15)
7	-	Finisher frame (REF: PL 12.10)
8	-	Stapler assembly (REF: PL 12.35)



AP-8-0541-A

# PL 14.10 Scanner Module and CVT/ Document Glass (4150)

Item	Part	Description
1	002N02559	Scanner assembly (REP 14.1)
2	101N01399	CCD module (REP 14.2)
3	-	Shaft (P/O PL 14.10 Item 1)
4	127N07496	Scan motor assembly (REP 14.2)
5	-	Sheave (P/O PL 14.10 Item 4)
6	-	E-clip (Not Spared)
7	109N00656	CCD ribbon cable (REP 14.2)
8	-	Ribbon cable cover (P/O PL 14.10 Item 1)
9	020N00830	Drive belt pulley (REP 14.2)
10	-	Pulley seat (P/O PL 14.10 Item 1)
11	009N01616	Pulley spring
12	-	Platen cover sensor actuator (P/O PL 14.10 Item 1) (REP 14.2)
13	-	Spring (P/O PL 14.10 Item 1)
14	130N01274	Platen cover sensor (Q05-400) (REP 14.2)
15	140N63149	Scanner PWB (REP 14.2)
16	-	Drive motor harness (P/O PL 14.10 Item 1)
17	152N11716	Scanner harness
18	152N11717	GUI harness (P/O PL 14.10 Item 1)
19	-	Platen cover sensor harness (P/O PL 14.10 Item 1)
20	-	Scanner lock switch (P/O PL 14.10 Item 1)
21	023N00954	Scanner drive belt (REP 14.2)
22	002N02582	CVT glass assembly
23	-	Scanner top cover (P/O PL 14.10 Item 24) (REP 14.2)
24	002N02581	Scanner top cover assembly (REP 14.2)
25	007N01537	Timing gear (REP 14.2)

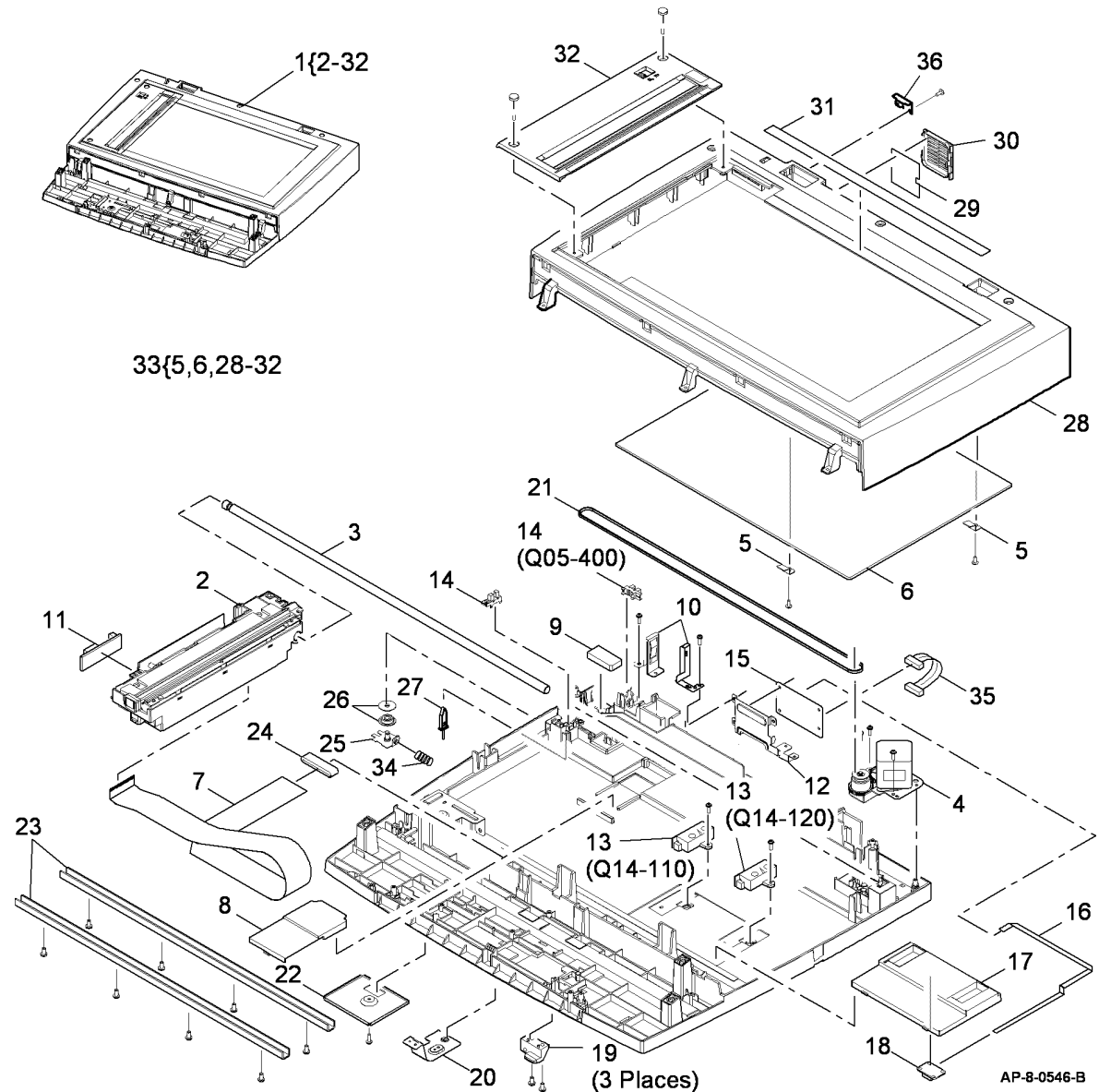


AP-8-0510-A



# PL 14.13 Scanner Module and CVT/ Document Glass (4250/4260)

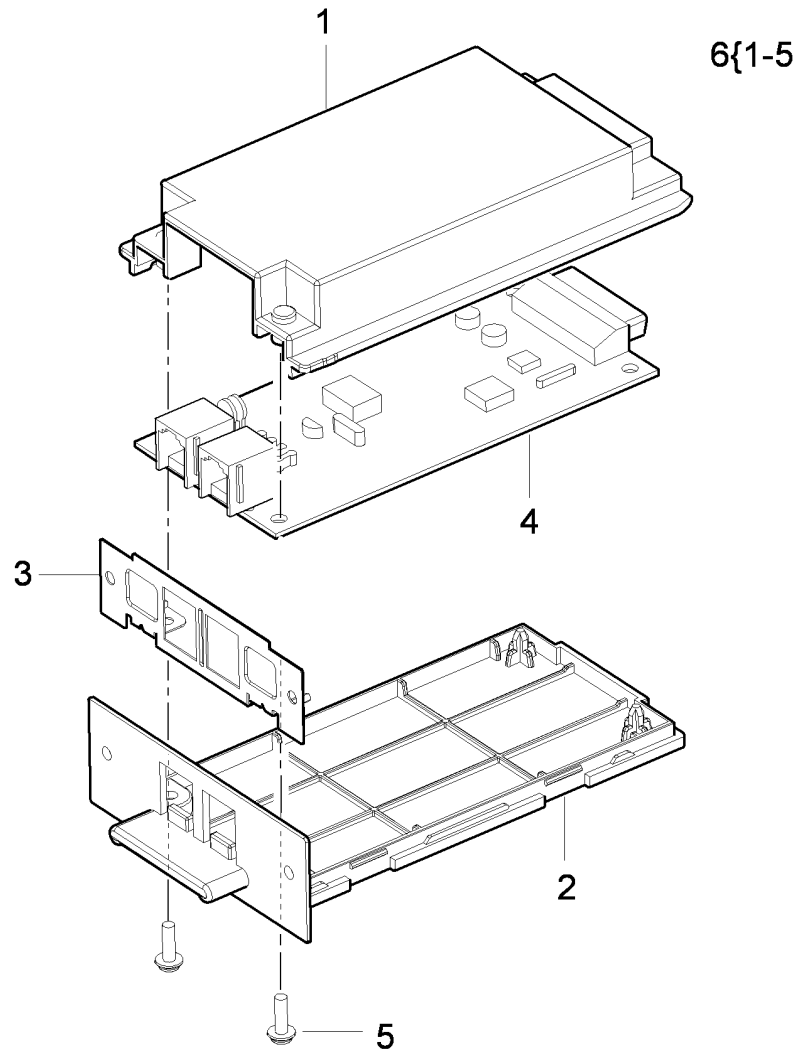
Item	Part	Description
1	002N02808	Scanner assembly (REP 14.3)
2	002N02813	CCD module (REP 14.4)
3	-	Shaft (P/O PL 14.13 Item 1)
4	127N07598	Scan motor assembly (MOT14-130) (REP 14.4)
5	-	Platen fixing (P/O PL 14.13 Item 33)
6	-	Platen glass (P/O PL 14.13 Item 33)
7	-	CCD ribbon cable (P/O PL 14.13 Item 1) (REP 14.4)
8	-	Ribbon cable cover (P/O PL 14.13 Item 1)
9	-	Static eliminator (P/O PL 14.13 Item 1)
10	-	Ground strip (P/O PL 14.13 Item 1)
11	-	CCD module PWB (P/O PL 14.13 Item 2) (REP 14.4)
12	-	Scanner PWB bracket (P/O PL 14.13 Item 1)
13	130N01563	Document size sensor 1 (Q14-110), Document size sensor 2 (Q14-120) (REP 14.4)
14	130N01274	Platen cover sensor (Q05-400)/ CCD module home sensor (REP 14.4)
15	140N63355	Scanner PWB (REP 14.4)
16	-	Paper length sensors harness (P/O PL 14.13 Item 1)
17	-	Size detect sensors cover (P/O PL 14.13 Item 1)
18	-	Paper length sensor PWB (P/O PL 14.13 Item 1)
19	-	Fastener (P/O PL 14.13 Item 1)
20	-	Bracket (P/O PL 14.13 Item 1)
21	023N00954	Scanner drive belt (REP 14.4)
22	-	Cover (P/O PL 14.13 Item 1)
23	-	Support rail (P/O PL 14.13 Item 1)
24	-	Ferrite (P/O PL 14.13 Item 1)
25	-	Pulley seat (P/O PL 14.13 Item 1)
26	020N00830	Drive belt pulley (REP 14.4)
27	-	Platen cover sensor actuator (P/O PL 14.13 Item 1)
28	-	Scanner top cover (P/O PL 14.13 Item 33) (REP 14.4)
29	-	Plastic sheet (P/O PL 14.13 Item 33)
30	-	Fan cover (P/O PL 14.13 Item 33)
31	-	Paper register guide (P/O PL 14.13 Item 33)
32	002N02867	CVT glass assembly
33	002N02814	Scanner top cover assembly (REP 14.4)
34	009N01616	Spring
35	152N11782	Scanner PWB to main PWB harness
36	-	DADF retaining bracket (4250)



## PL 20.10 FAX Assembly

Item	Part	Description
1	–	Upper cover (P/O PL 20.10 Item 6)
2	–	Lower cover (P/O PL 20.10 Item 6)
3	–	Bracket (P/O PL 20.10 Item 6)
4	140N63274	FAX PWB (serial) (4150)
–	140N63142	FAX PWB (parallel) (4150)
–	140N63358	FAX PWB (serial) (4250/4260)
–	140N63357	FAX PWB (parallel) (4250/4260)
5	–	Screw (P/O PL 20.10 Item 6)
6	–	FAX module (Not Spared) (See Note)

**NOTE:** For FAX kits, see PL 31.10 Item 1.



AP-8-0536-A

## PL 26.10 Consumables and Tools

Item	Part	Description
1	600T02252	Ethernet crossover cable (PWS to network controller)
2	600T02299	Slim Phillips screwdriver #2
3	499T00355	Magnetic screwdriver w/ standard Handle #2
4	106R01408	Toner cartridge (Worldwide Metered / PagePack) (4250/4260)
-	106R01410	Toner cartridge (DMO Sold) (4250/4260)
-	106R01409	Toner cartridge (NA/XE Sold) (4250/4260)
-	006R01274	Toner cartridge (Worldwide Metered/PagePack) (4150)
-	006R01275	Toner cartridge (NA/XE Sold) (4150)
-	006R01276	Toner cartridge (DMO Sold) (4150)
5	013R00623	SMart Kit Drum (4150)
-	113R00755	SMart Kit Drum (4250/4260)
6	008R12941	Staple cartridge
7	108R00823	Finisher staple refill

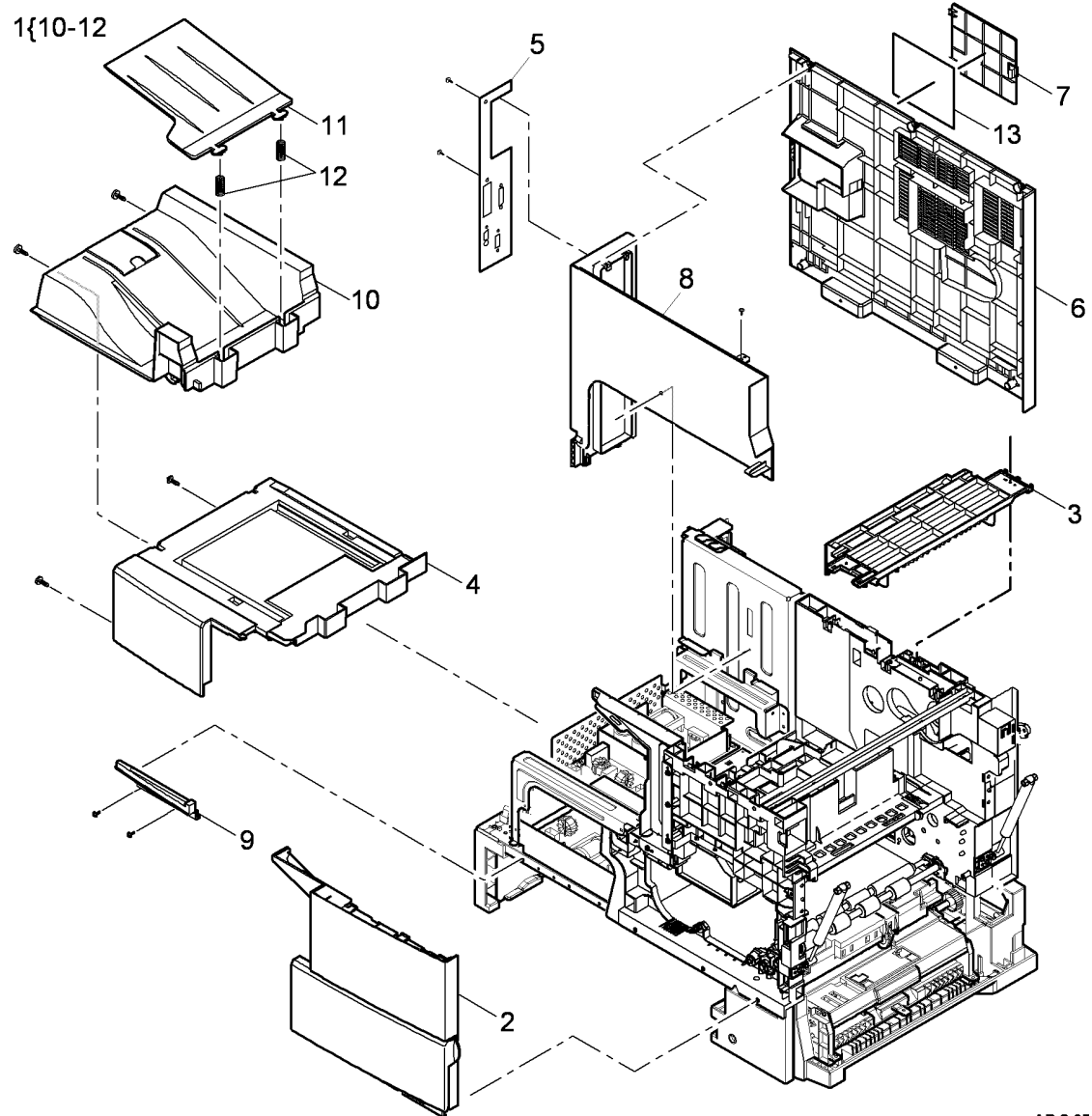
**NO EXPLODED  
VIEW PROVIDED**

AP-8-0540-J

## PL 28.10 Covers

Item	Part	Description
1	002N02564	Exit tray assembly
2	002N02565	Front door assembly
3	002N02566	Exit guide assembly (REP 10.2)
4	002N02567	Paper exit cover
5	002N02568	Infill cover (4150)
-	002N02890	Infill cover (4250)
-	002N02861	Infill cover (4260)
6	002N02569	Rear cover (4150)
-	002N02862	Rear cover (4250/4260)
7	002N02570	Rear access cover
8	-	Rear exit cover (Not Spared) (REP 4.2)
9	-	Front infill cover (Not Spared)
10	-	Tray (P/O PL 28.10 Item 1)
11	-	Lower tray (P/O PL 28.10 Item 1)
12	009N01593	Spring (P/O PL 28.10 Item 1)
13	053N00297	Filter

**NOTE:** Refer to PL 12.10 and PL 12.45 for the finisher covers.



AP-8-0515-A

## PL 31.10 Maintenance/Installation/ Removal Kits

Item	Part	Description
1	097N01686	Fax kit (Serial) (see Note)
–	097N01685	Fax kit (Parallel) (see Note)
2	097S03772	Foreign device interface kit (4150)
–	097N01676	Foreign device interface kit (4250/ 4260)

**NOTE:** For the FAX module, see PL 20.10 Item 6.

**NO EXPLODED  
VIEW PROVIDED**

AP-8-0027-1